



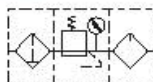
GC Series Air Treatment Components

Ordering Code

GC	200	08	M	F	1	W	G
Type	200 Series	Port Size	Drain Type	Pressure Gauge	Indication	Filter Density	Thread
GC: 3 Combination GFC: 2 Combination GF: Filter GR: Regulator GL: Lubricator	300 Series 400 Series	06: PT1/8 08: PT1/4 08: PT1/4 10: PT3/8 15: PT1/2	Blank: Semi-Auto Drain M: Manual Drain A: Auto Drain	F: Square Type C: Traditional Type	1: MPa 2: Psi	Blank: 40 μ W: 5 μ	Blank: PT G: PS T: NPT

*Note: No Auto Drains Type is available on GC200 Series.
*Note: Max. Adjustable pressure is at 0.4MPa on Low pressure type.

Symbol

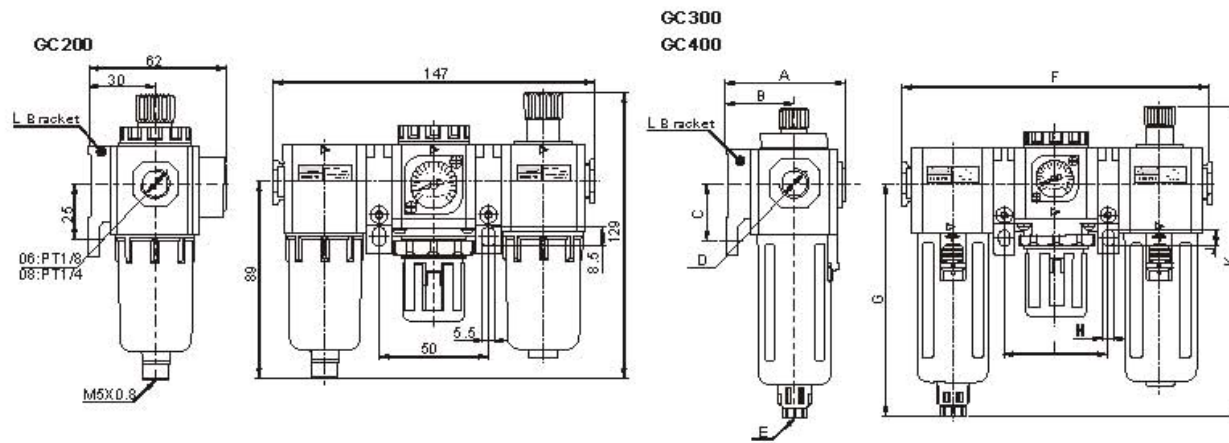


Specification

Model	GC200-06	GC200-08	GC300-08	GC300-10	GC300-15	GC400-10	GC400-15
Working medium	Air						
Port Size	PT1/8	PT1/4	PT1/4	PT3/8	PT1/2	PT3/8	PT1/2
Filtration	40 μ or 5 μ						
Adjustable pressure range	0.15-0.9MPa						
Maximum working pressure	1.0MPa						
Proof Pressure	1.5MPa						
Operating Temperature Range	5-60°C						
Capacity of Filter Cup	10CC		40CC			80CC	
Capacity of Oil Cup	25CC		75CC			160CC	
Propositional Lubrication	ISO VG 32 or SAE Grade						
Weight	580g		1300g			2368g	
Components	Filter	G F200-06	G F200-08	G F300-08	G F300-10	G F300-15	G F400-10 G F400-15
	Regulator	G R200-06	G R200-08	G R300-08	G R300-10	G R300-15	G R400-10 G R400-15
	Lubricator	G L200-06	G L200-08	G L300-08	G L300-10	G L300-15	G L400-10 G L400-15

GC Series Air Treatment Components

Overall Dimension



Type	A	B	C	D	E	F	G	H	I	J	K
GC300-08	71	41.5	35	PT1/4	PS1/8	188	143	6.5	64	9	188
GC300-10	71	41.5	35	PT3/8	PS1/8	188	143	6.5	64	9	188
GC300-15	71	41.5	35	PT1/2	PS1/8	188	143	6.5	64	9	188
GC400-10	85.5	50	40	PT3/8	PS1/4	248	166.5	8.6	84	12	216
GC400-15	85.5	50	40	PT1/2	PS1/4	248	166.5	8.6	84	12	216

The Way to Automation