

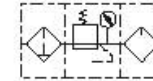


F R L Combination

Feature

- 1.High strength and light weight alloy valve body.
- 2.Balanced construction with the advantages of stable pressure and high precision on Regulator valve.
- 3.Special oil drip design for easy and precise oil flowadjustment.
- 4.Extended water and oil cup.

Symbol



Ordering Code

J	C	20	-	02	D	N
J Series	Function F: Filter L: Lubricator R: Regulator W: Filter-regulator combination	Specification 21: Two combination		Port Size 02 :G 1/4"	Drain Type Blank: Manual Drain D: Auto Drain	Blank: Standard N: Metal Cup

Specification

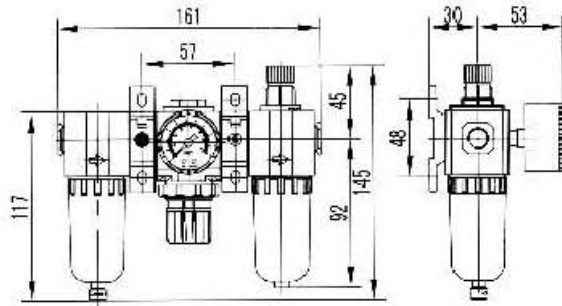
Model	JC20-02	JC21-02	JW20-02	JR20-02	JF20-02	JL20-02
Rated Flow	500	500	550	550	750	800
Port Size	1/4	1/4	1/4	1/4	1/4	1/4
Filtration	25 μm					
Maximum Working Pressure	1.0 MPa					
Proof Pressure	1.5 MPa					
Operating Temperature Range	5-60℃					
Adjustable Pressure Range	0.05-0.85 MPa					
Propositional Lubrication	ISO VG32				ISO VG32	
Container Material	Polycarbonat			Polycarbonat		
Shield	Without					
Drain Function	Manual Drain	Manual Drain	Manual Drain		Manual Drain	
Valve Type	Relieving type					
Components	Filter	Filter				
	Regulator					
	Lubricator	Lubricator				



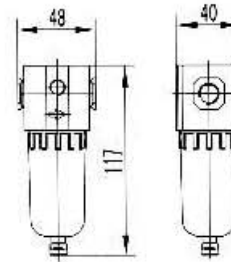
F.R.L. Combination

Overall Dimension

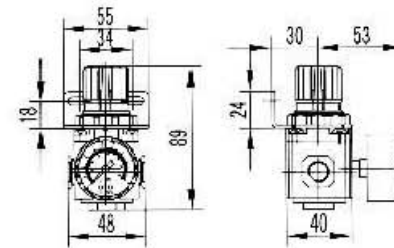
TYPE : JC20-02



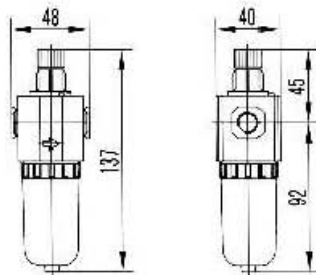
TYPE : JF20-02



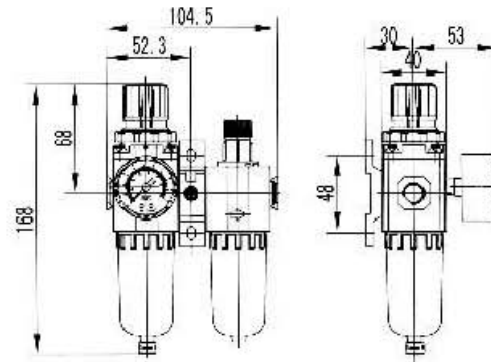
TYPE : JR20-02



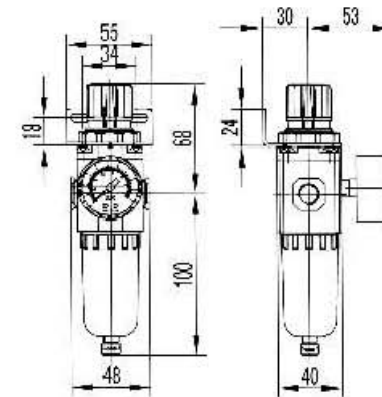
TYPE : JL20-02



TYPE : JC21-02



TYPE : JW20-02



The Way to Automation