



◆ Installation and Maintenance

- Make sure the connection ports and connectors are cleaned up properly to prevent any dirt from getting in.
- When it comes to installation, please make sure the flow direction match the direction of arrow shown on the product.
- To fix filter, regulator and lubricator separately, it is necessary to match the concavity with the convexity. Simply lock with fixing plate and nut.
- It is also necessary to make sure the thread of connecting pipe and connector are identical.
- Some parts are made of PC material which is vulnerable to organic substance, please keep away and clean the PC bowl with neutral solvent.
- Please keep the operating pressure below 0.8 MPa.
- When the flow is apparently reduced, please change the new filter element in time.
- Please refer sample or website (www.jelpc.com) for other detail information.

◆ Pressure Adjustment (Regulator)

- Please pull up the pressure knob before revolving for pressure adjustment and push it down for fixing desired position.
- Clockwise turn pressure knob to increase pressure, while turn anti-clockwise to decrease pressure.
- Do not adjust to desired pressure simply at one step, please turn the pressure knob gradually as well as evenly.

◆ Oil feeding and the adjustment of oil feeding volume (Lubricator)

- Please choose ISO VG32 or same grade of oil, feed up the volume of oil at 80% of oil bowl capacity level.
- Carefully check the indicating arrow on oil meter cover, turn clockwise for increasing oil supply and anti-clockwise for decrease.

◆ Filter-Regulator-Lubricator, Type JC Specifications

Mode	JC20-02	JC21-02	JW20-02	JR20-02	JF20-02	JL20-02
Port size	1/4"					
Medium	Air					
Element	40μ					
Operating Pressure Range	0.05 ~ 0.8Mpa					
Max Pressure	0.8Mpa					
Proof Pressure	1.2Mpa					
Operating Temperature Range	5 ~ 60℃					
Capacity of Filter Bowl	20cc					
Capacity of Oil Bowl	30cc					
Recommend Lubricant	ISO VG32 or the same grade					
Weight	0.7kg	0.5kg	0.3kg	0.25kg	0.13kg	0.15kg
Con-stituent Element	Filter	JF20-02	JW20-02			
	Regulator	JR20-02				
	Lubricator	JL20-02				



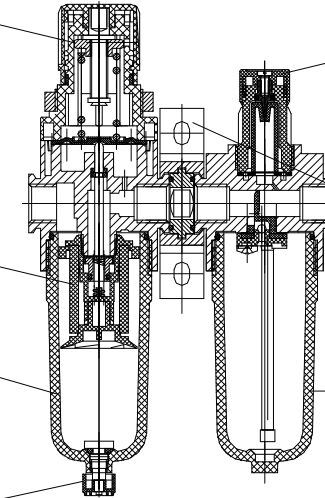
◆ Feature of JC type

The pressure knob featured to have position control design with better look. The quality of diaphragm is more durable and reliable!

Filtering element is characterized by its compactness and high filtering precision, different filtering precisions are available!

Lengthened water bowl design to increase water capacity and prolong drain intervals!

Manual drain system with simple structure is easy to operate!

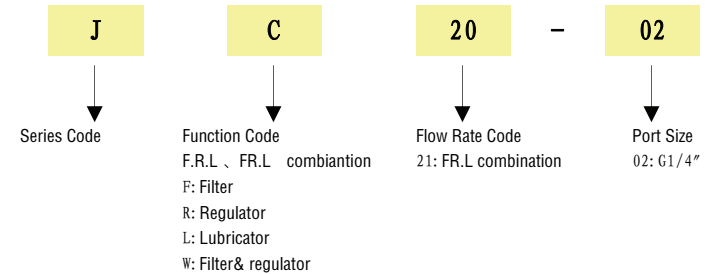


New oil flow adjustment design which is easier and more precise to do oil adjustment. It also allows the oil come up from bowl more precise!

Significantly improved the strength of Mounting bracket's, it is also easy for installation!

The king-size lubricator bowl increases the lubricant volume and reduce times of oil feeding. Airline with filtration keeps dust away and prevents the secondary pollution or clogging!

◆ JC Series Ording Code



◆ Quality Promise

- We provide twelve-month warranty for maintenance and six-month warranty for replacing all the defect products purchased from our company under normal use condition.
- Quality pneumatic products are guaranteed by automatic equipment.

◆ Note:

- Our company reserves the interpretation right of this explanation sheet.
- In case there is any change in the model,size and materials of our products, we will show the changes in our new catalogue. Any questions, please feel free to get in touch with us.



Reg.No.CNAB020-Q



ISO9001:2000Certification

NINGBO JIAERLING PNEUMATIC MACHINERY CO.,LTD.