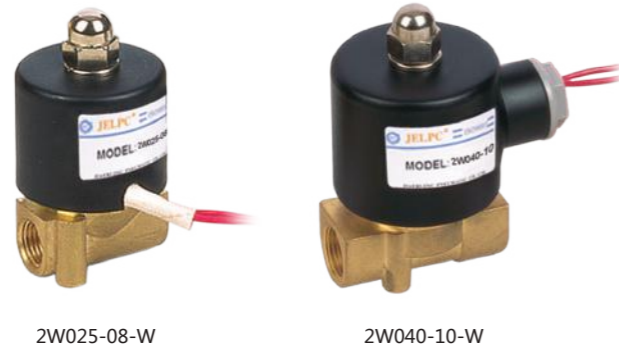


2W Series

2/2 Way Solenoid Valve (Direct Operated)



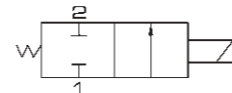
2W025-08-W

2W040-10-W

Ordering Code

2W	025	08	AC110V	E	J
Specification	Orifice Size	Port Size	Standard Voltage	Sealing	Wiring
2W: 2/2 way brass body	012: 1.2mm	M4: M4×0.7	DC12V DC24V	Blank: NBR	J: Terminal
2WH: 2/2 way brass body high pressure	020: 2mm	06: 1/8"	AC24V 50Hz/60Hz	E: EPDM (for steam)	W: Lead wire
2S: 2/2 way stainless steel body	025: 2.5mm	08: 1/4"	AC110V 50Hz/60Hz	V: VITON (for high temperature gas and vacuum)	
2SH: 2/2 way stainless steel body high pressure	040: 4mm	10: 3/8"	AC220V 50Hz/60Hz AC380V 50Hz/60Hz		

Symbol



Specification

Model	2W025-06	2W025-08	2W040-10	2WH012-06	2WH012-08	2WH020-10
	2S025-06	2S025-08	2S040-10	2SH012-06	2SH012-08	2SH020-10
Working Medium	Air, Water, Oil, Gas			Air, Water, Oil		
Operation	Direct					
Type	Normal Close					
Orifice	2.5 mm		4 mm	1.2 mm		2 mm
CV Value	0.23		0.60	0.05		0.15
Port Size	1/8"	1/4"	3/8"	1/8"	1/4"	3/8"
Operation Fluid Viscosity	Below 20 CST					
Working-pressure	0 ~ 0.7 MPa			0 ~ 2.0 MPa		
Max. Test Pressure	1.0 MPa			3.5 MPa		
Max. Ambient Temperature	-10 ~ 80 °C					
Operating Voltage Tolerance	± 10%					
Material of Body	2W: Brass			2S: Stainless Steel		
Material of Oil Seal	NBR, EPDM or VITON					

ISO9001:2015 CE

2W (Large Port) Series

2/2 Way Solenoid Valve (Direct Operated)



2W200-20-W

2W400-40-W

2W500-50-W

2S160-15-W

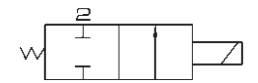
2S350-35-W

Ordering Code

2W	160	15	AC110V	V	J
Specification	Orifice Size	Port Size	Standard Voltage	Sealing	Wiring
2W: 2/2 Way Solenoid Valve (Direct Operated)	160: 16 mm 200: 20 mm	10: 3/8" 15: 1/2"	DC12V DC24V AC24V 50Hz/60Hz	Blank : NBR V: VITON (for high temperature gas and vacuum)	J: Terminal W: Lead wire
2S: 2/2 Way Stainless Steel Solenoid Valve (Direct Operated)	250: 25 mm 350: 35 mm 400: 40 mm 500: 50 mm	20: 3/4" 25: 1" 35: 1 1/4" 40: 1 1/2" 50: 2"	AC110V 50Hz/60Hz AC220V 50Hz/60Hz AC380V 50Hz/60Hz		

* In addition normally open optional.

Symbol



Specification

Model	2W160-10	2W160-15	2W200-20	2W250-25	2W350-35	2W400-40	2W500-50
	2S160-10	2S160-15	2S200-20	2S250-25	2S350-35	2S400-40	2S500-50
Working Medium	Air, Water, Oil						
Operation	Direct						
Type	Normal Close (Normal open optional)						
Orifice	16 mm		20 mm	25 mm	35 mm	40 mm	50 mm
CV Value	4.8		7.6	12	24	29	48
Port Size	3/8"	1/2"	3/4"	1"	1 1/4"	1 1/2"	2"
Operation Fluid Viscosity	Below 20 CST						
Working-pressure	Air 0 ~ 0.7 MPa; Water 0 ~ 0.5 MPa; Oil 0 ~ 0.5 MPa						
Max. Test Pressure	1.0 MPa						
Max. Ambient Temperature	-10 ~ 80 °C						
Operating Voltage Tolerance	± 10%						
Material of Body	2W: Brass			2S: Stainless Steel			
Material of Oil Seal	NBR, EPDM or VITON						

2W (Large Port) Series

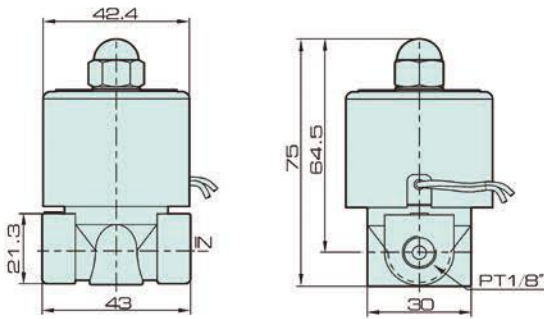
2/2 Way Solenoid Valve
(Direct Operated)



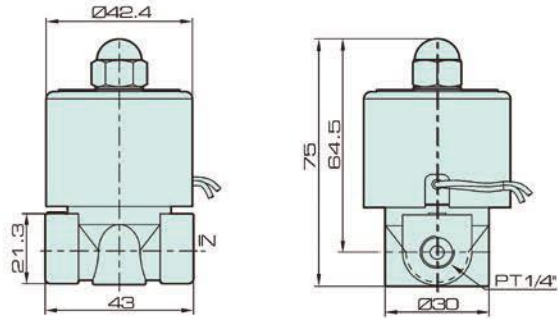
- Valve
- J4V
- J4V100
- J4V200
- J4V300
- J4V400
- 5V
- Manifold
- JSY
- 5JV
- MCS
- JVT307
- JEL
- MVSD
- VF
- BM
- NAMUR
- 551
- JEL10
- 3VJZF
- Diaphragm
- JELVD
- 3V1
- Coil
- 2P
- 2V
- 2W
- 2W(Big)
- 2L
- VX
- PU
- PU225
- 2Q
- JEL5404
- JEL6213
- BU
- Pulse
- JELJZF
- 4H
- TSV
- MPV
- 4HV
- HV, K
- 4R
- 4F210
- FV
- MSV
- JM
- ASC, RE
- QE, QEA
- ST
- HSV

Overall Dimension

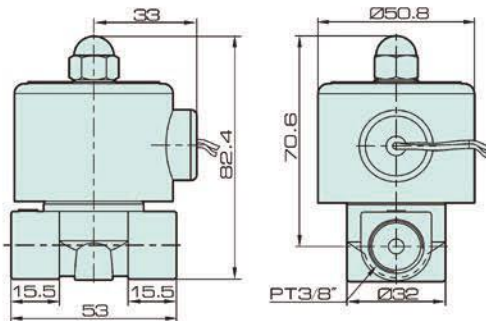
2W025-06 & 2WH012-06



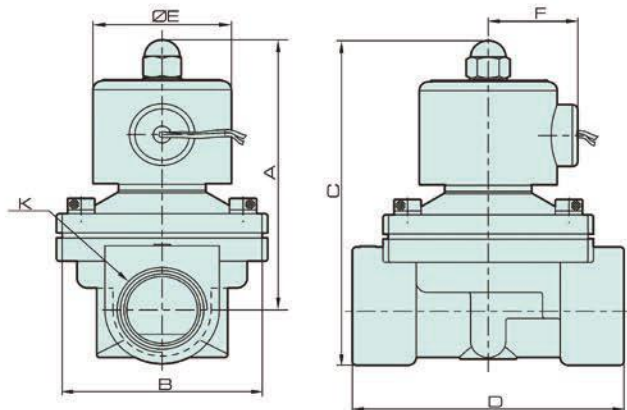
2W025-08 & 2WH012-08



2W040-10 & 2WH20-10



2W Big Caliber



Dimension

Model	A	B	C	D	E	F	K
2W160-10	101.5	57	117	69	50	36	PT3/8"
2W160-15	101.5	57	117	69	50	36	PT1/2"
2W200-20	107	57	123.5	73	50	36	PT3/4"
2W250-25	111.5	73.5	134.5	99	50	36	PT1"
2W350-35	142	95	172	123	70.5	56	PT1 ¹ / ₄ "
2W400-40	142	95	172	123	70.5	56	PT1 ¹ / ₂ "
2W500-50	172	123	209	168	70.5	56	PT2"