



3V1-06-4F



3V1-06



3V1-06A-2F

## Features

1. We guarantee inner hole roughness within our new processing.
2. Can be assembling with many joints.
3. To import German soft magnetic stainless steel to improve the magnetic performance and reduce coil capacity 30% .

## Ordering Code

<b>3V</b>	<b>1</b>	<b>06</b>	<b>B</b>	<b>AC220V</b>	<b>W</b>	<b>F</b>
Specification	Series Code	Port Size	Connecting Type	Standard Voltage	Wiring	Joint
3V: 3/2 way	1: 100 Series	M5: M5 06: 1/8"	Blank: Pipe type B: Plate type A : Diecast body	DC12V DC24V AC24V AC110V AC220V	LD: Brown with light terminal W: Lead wire	1F-20F

Note: Normal Open 3V1 valve' voltage only assembly DC24V 6.5W Coil

## Specification

Model	3V1-M5	3V1-06(B/A)-NC
Working Medium	40 Micron Filtered Air	
Operation	Direct	
Port Size	M5	1/8" (Without or G1/8")
Ambient Temperature	-10 ~ +60°C	
Gas Temperature	5 ~ 60°C	
Air Outlet Diameter	1.0mm	
Lubrication	Not Required	
Working-pressure	0 ~ 0.8 MPa	
Max. Test Pressure	1.2 MPa	
Power Consumption	AC: 5.5VA DC: 4.8W	
Protect Class	IP65	
Wiring / Connector	Cable / Lead Wire or DIN Connector	
Material of Body	Aluminum Alloy	
Switching Frequency	10 Cycles / Sec.	
Insulation	F Class	
Operating Voltage Tolerance	±10%	
Response Time	0.05 Sec.	
Flow Aperture	Ø1mm	

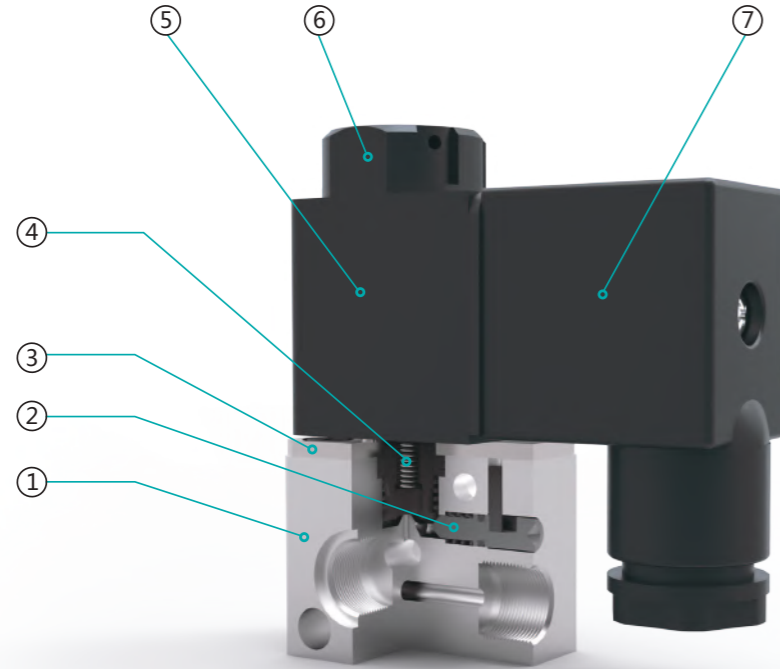
### Valve

- J4V
- J4V100
- J4V200
- J4V300
- J4V400
- 5V
- Manifold
- JSY
- 5JV
- MCS
- JVT307
- JEL
- MVSD
- VF
- BM
- NAMUR
- 551
- JEL10
- 3VJZF
- Diaphragm
- JELVD
- 3V1**
- Coil
- 2P
- 2V
- 2W
- 2W(Big)
- 2L
- VX
- PU
- PU225
- 2Q
- JEL5404
- JEL6213
- BU
- Pulse
- JELJZF
- 4H
- TSV
- MPV
- 4HV
- HV, K
- 4R
- 4F210
- FV
- MSV
- JM
- ASC, RE
- QE, QEA
- ST
- HSV

# 3V1 Series Solenoid Valve



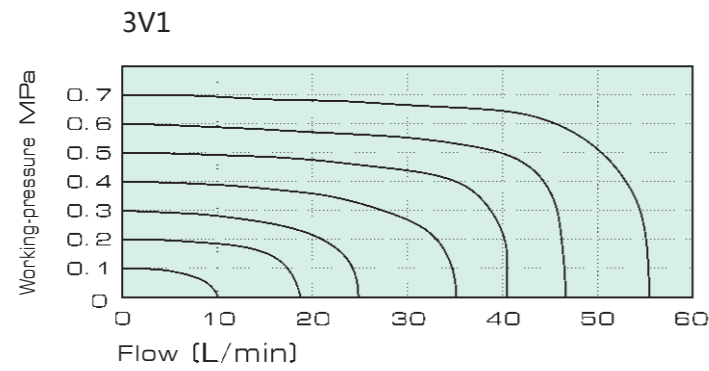
## Internal Structure



## Parts

Number	Name	Number	Name
1	Valve body	5	Coil
2	Manual ride spindle	6	Coil nut
3	Connecting part	7	Terminal
4	Solenoid plunger		

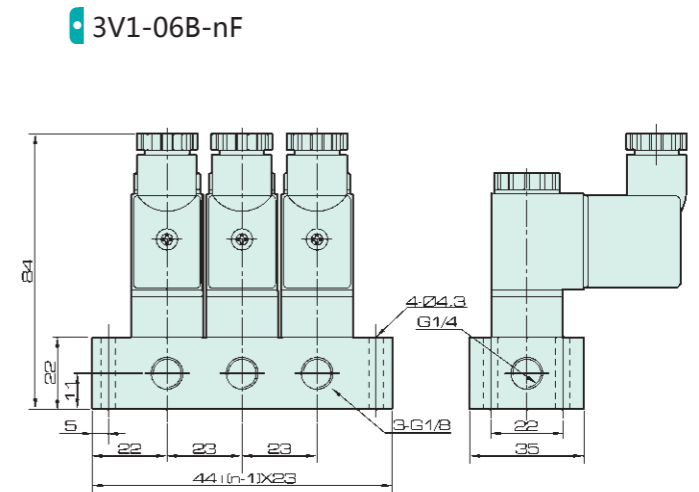
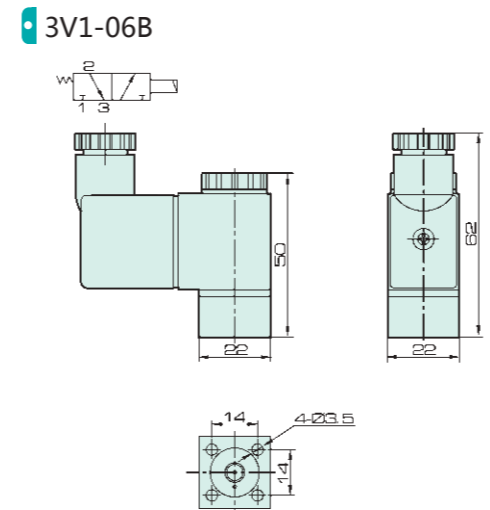
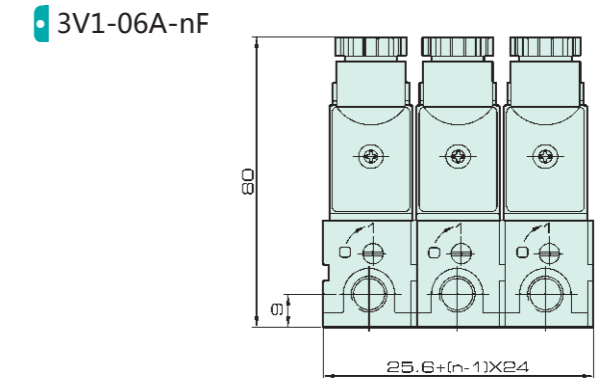
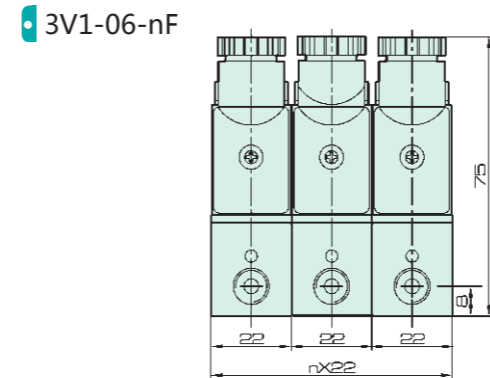
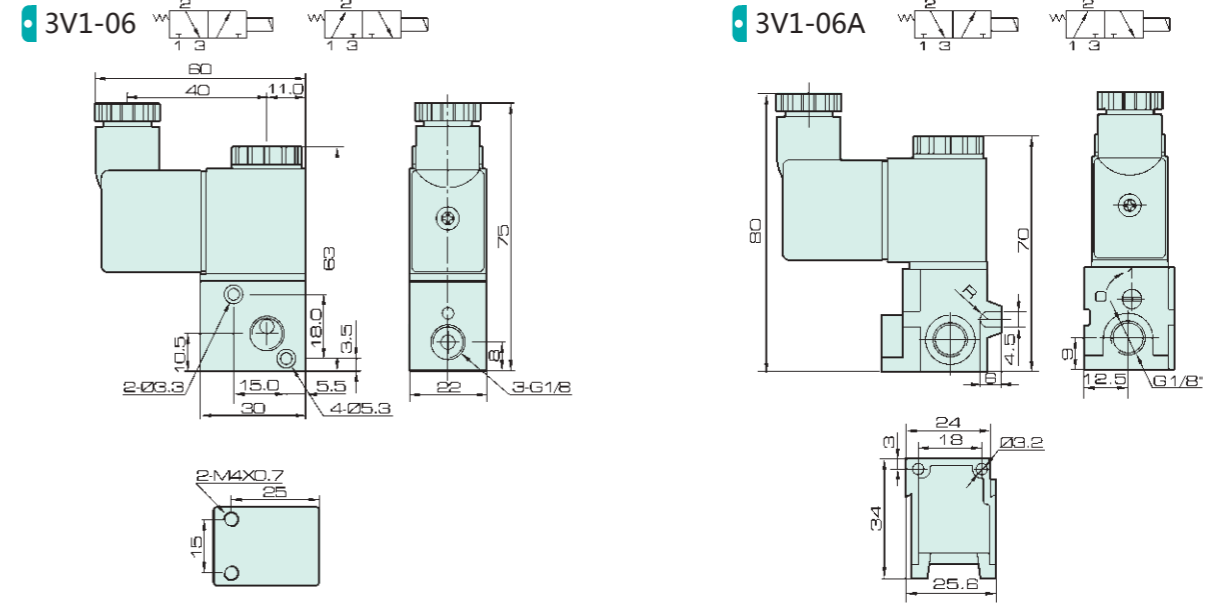
## Flow Chart



ISO9001:2015 CE

# 3V1 Series Solenoid Valve

## Overall Dimension



Valve  
J4V  
J4V100  
J4V200  
J4V300  
J4V400  
5V  
Manifold  
JSY  
5JV  
MCS  
JVT307  
JEL  
MVSD  
VF  
BM  
NAMUR  
551  
JEL10  
3VJZF  
Diaphragm  
JELVD  
3V1  
Coil  
2P  
2V  
2W  
2W(Big)  
2L  
VX  
PU  
PU225  
2Q  
JEL5404  
JEL6213  
BU  
Pulse  
JELJZF  
4H  
TSV  
MPV  
4HV  
HV, K  
4R  
4F210  
FV  
MSV  
JM  
ASC, RE  
QE, QEA  
ST  
HSV

Valve  
J4V  
J4V100  
J4V200  
J4V300  
J4V400  
5V  
Manifold  
JSY  
5JV  
MCS  
JVT307  
JEL  
MVSD  
VF  
BM  
NAMUR  
551  
JEL10  
3VJZF  
Diaphragm  
JELVD  
3V1  
Coil  
2P  
2V  
2W  
2W(Big)  
2L  
VX  
PU  
PU225  
2Q  
JEL5404  
JEL6213  
BU  
Pulse  
JELJZF  
4H  
TSV  
MPV  
4HV  
HV, K  
4R  
4F210  
FV  
MSV  
JM  
ASC, RE  
QE, QEA  
ST  
HSV