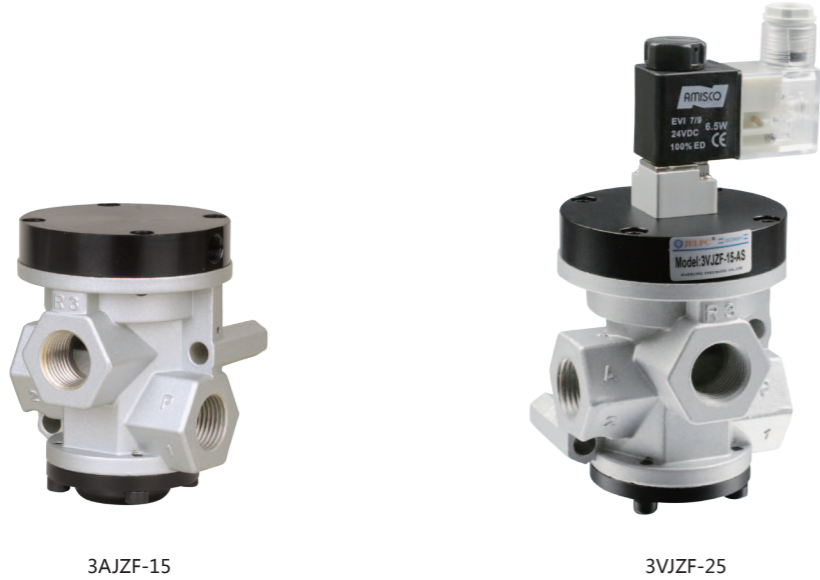


3VJZF Series

3/2 Way Stop Solenoid Valve



3AJZF-15

3VJZF-25

Ordering Code

3V	JZF	15	AS	AC110V	W
Specification	Stop Type	Port Size	Operation	Standard Voltage	Wiring
3V: 3/2 way solenoid valve 3A: 3/2 way air pilot valve	V: Solenoid valve A: Air pilot valve	10: G3/8" 15: G1/2" 20: G3/4" 25: G1"	Blank: Internal Piloted AS: External Piloted	DC12V DC24V AC24V 50Hz/60Hz AC110V 50Hz/60Hz AC220V 50Hz/60Hz AC380V 50Hz/60Hz	LD: Brown with light terminal W: Lead wire

Specification

Model	3VJZF-15/10	3VJZF-25/20	3AJZF-15/10	3AJZF-25/20
Working Medium	Air			
Operation	Stop Type			
Orifice	16 mm	25 mm	16 mm	25 mm
Port Size	G1/2", G3/8"	G1", G3/4"	G1/2", G3/8"	G1", G3/4"
Working-pressure	0 ~ 1.0 MPa			
Max. Test Pressure	1.5 MPa			
Operating Voltage Tolerance	± 10%			
Material of Body	Aluminum			

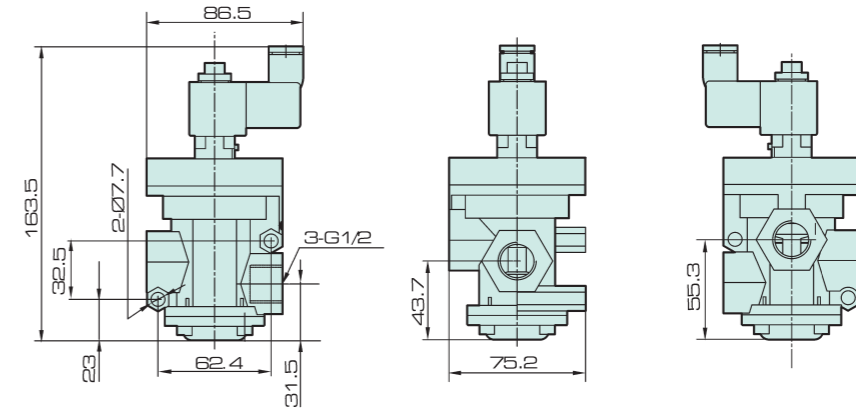
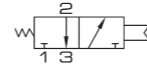
ISO9001:2015 CE

3VJZF Series

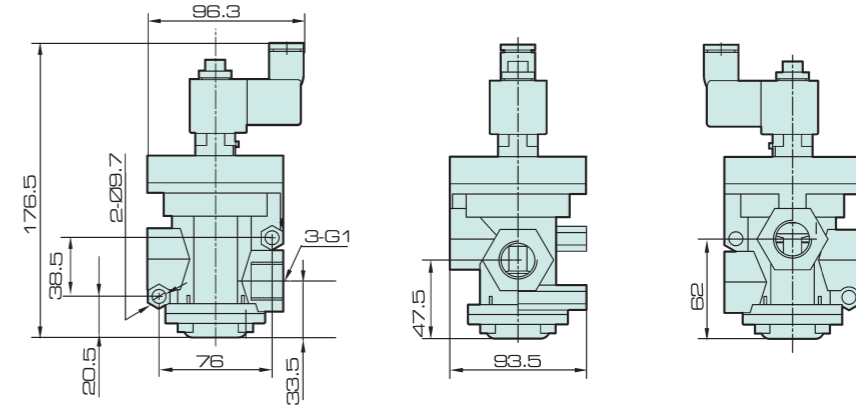
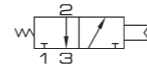
3/2 Way Stop Solenoid Valve

Overall Dimension

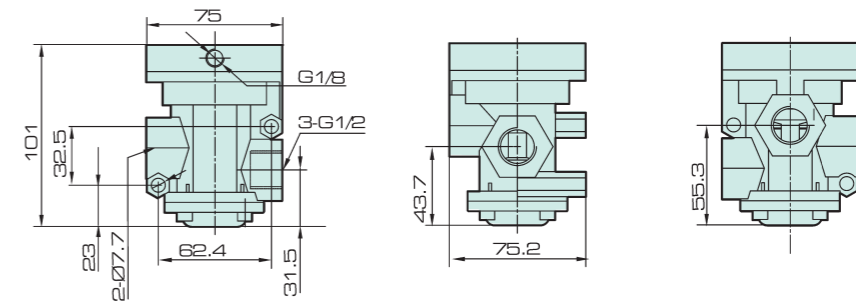
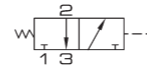
3VJZF-15



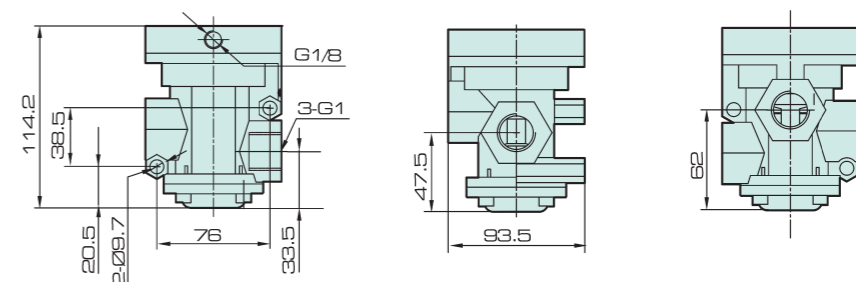
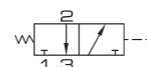
3VJZF-25



3AJZF-15



3AJZF-25



Valve
J4V
J4V100
J4V200
J4V300
J4V400
5V
Manifold
JSY
5JV
MCS
JVT307
JEL
MVSD
VF
BM
NAMUR
551
JEL10

3VJZF

Diaphragm

JELVD

3V1

Coil

2P

2V

2W

2W(Big)

2L

VX

PU

PU225

2Q

JEL5404

JEL6213

BU

Pulse

JELJZF

4H

TSV

MPV

4HV

HV, K

4R

4F210

FV

MSV

JM

ASC, RE

QE, QEA

ST

HSV

Valve
J4V
J4V100
J4V200
J4V300
J4V400
5V
Manifold
JSY
5JV
MCS
JVT307
JEL
MVSD
VF
BM
NAMUR
551
JEL10

3VJZF

Diaphragm

JELVD

3V1

Coil

2P

2V

2W

2W(Big)

2L

VX

PU

PU225

2Q

JEL5404

JEL6213

BU

Pulse

JELJZF

4H

TSV

MPV

4HV

HV, K

4R

4F210

FV

MSV

JM

ASC, RE

QE, QEA

ST

HSV