



Valve

- J4V
- J4V100
- J4V200
- J4V300
- J4V400
- 5V
- Manifold
- JSY
- 5JV
- MCS
- JVT307
- JEL
- MVSD
- VF
- BM
- NAMUR
- 551
- JEL10
- 3VJZF
- Diaphragm
- JELVD
- 3V1
- Coil
- 2P
- 2V
- 2W
- 2W(Big)
- 2L
- VX
- PU
- PU225
- 2Q
- JEL5404
- JEL6213
- BU
- Pulse
- JELJZF
- 4H**
- TSV
- MPV
- 4HV
- HV, K
- 4R
- 4F210
- FV
- MSV
- JM
- ASC, RE
- QE, QEA
- ST
- HSV

Features

1. We guarantee inner hole roughness within our new processing.
2. Handle base use high strength plastic to beautify the appearance.
3. To import German high standard special grease which provides film in order to reduce friction.
4. Valve spool use seals which import from Japan to increase the life time.

Ordering Code

4H	2	10	C	06	L
Specification	Series Code	Position Number	Middle Position	Port Size	Type
4H: 5/2(3) Way 3H: 3/2 Way	2: 200 Series 3: 300 Series 4: 400 Series (without 3H)	10: Single head two position 30: Single head three position	C: Mid-position closed E: Mid-position exhausted P: Mid-position pressured	06: G1/8" 08: G1/4" 10: G3/8" 15: G1/2"	Blank: 5/2 way lock type L: 5/3 way lock type S: 5/2 (3) way spring return type

Specification

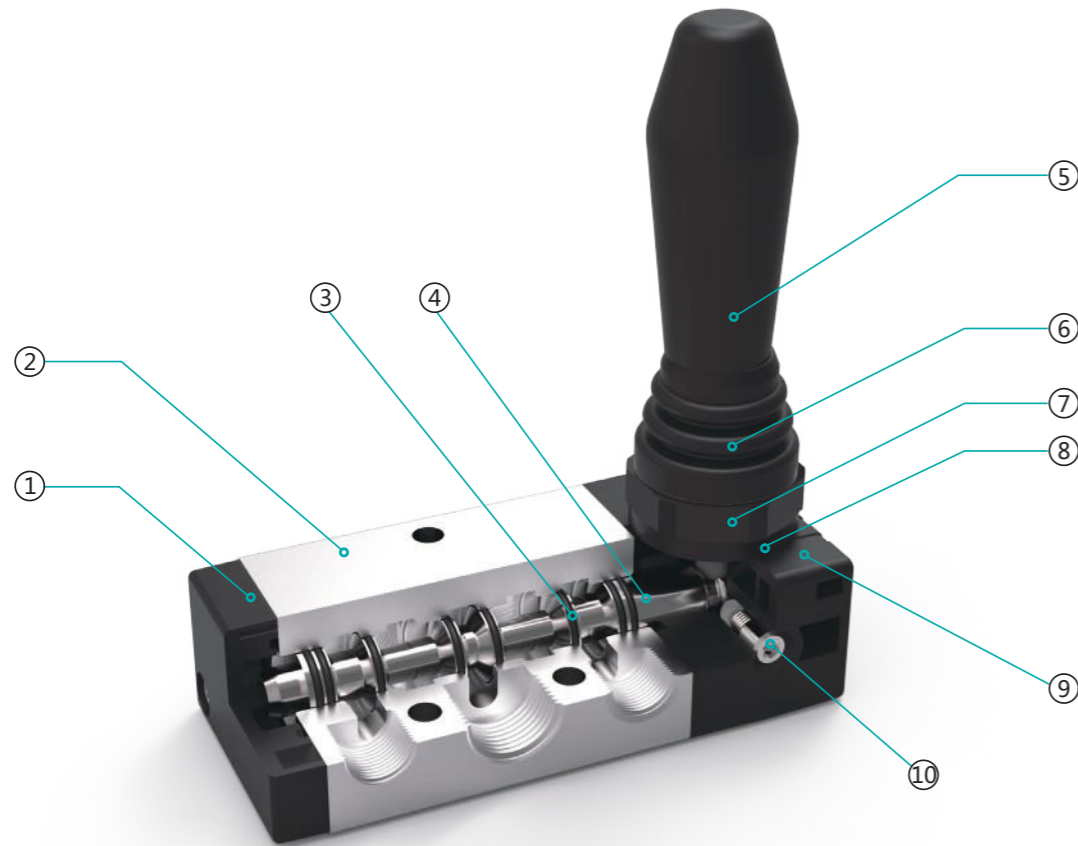
Model	4H210-06	4H210-08	4H230-08	4H310-08	4H310-10	4H330-10	4H410-15	4H430-15
Working Medium	40 Micron Filtered Air							
Operation	Direct							
Effective Cross Section Area	14mm ² (CV=0.78)	16mm ² (CV=0.89)	12mm ² (CV=0.67)	25mm ² (CV=1.4)	30mm ² (CV=1.68)	18mm ² (CV=1.00)	50mm ² (CV=2.79)	30mm ² (CV=1.68)
Port Size	Inlet, Outlet, Exhaust Port = G1/8"	Inlet, Outlet = G1/4" Exhaust Port=G1/8"	Inlet, Outlet, Exhaust Port = G1/4"	Inlet, Outlet, Exhaust Port = G1/4"	Inlet, Outlet = G3/8" Exhaust Port = G1/4"		Inlet, Outlet, Exhaust Port = G1/2"	
Working Pressure	0 ~ 0.8MPa							
Working Temperature	-20 ~ 70°C							

4H Series Hand Pull Valve



- Valve
- J4V
- J4V100
- J4V200
- J4V300
- J4V400
- 5V
- Manifold
- JSY
- 5JV
- MCS
- JVT307
- JEL
- MVSD
- VF
- BM
- NAMUR
- 551
- JEL10
- 3VJZF
- Diaphragm
- JELVD
- 3V1
- Coil
- 2P
- 2V
- 2W
- 2W(Big)
- 2L
- VX
- PU
- PU225
- 2Q
- JEL5404
- JEL6213
- BU
- Pulse
- JELJZF
- 4H**
- TSV
- MPV
- 4HV
- HV, K
- 4R
- 4F210
- FV
- MSV
- JM
- ASC, RE
- QE, QEA
- ST
- HSV

Internal Structure



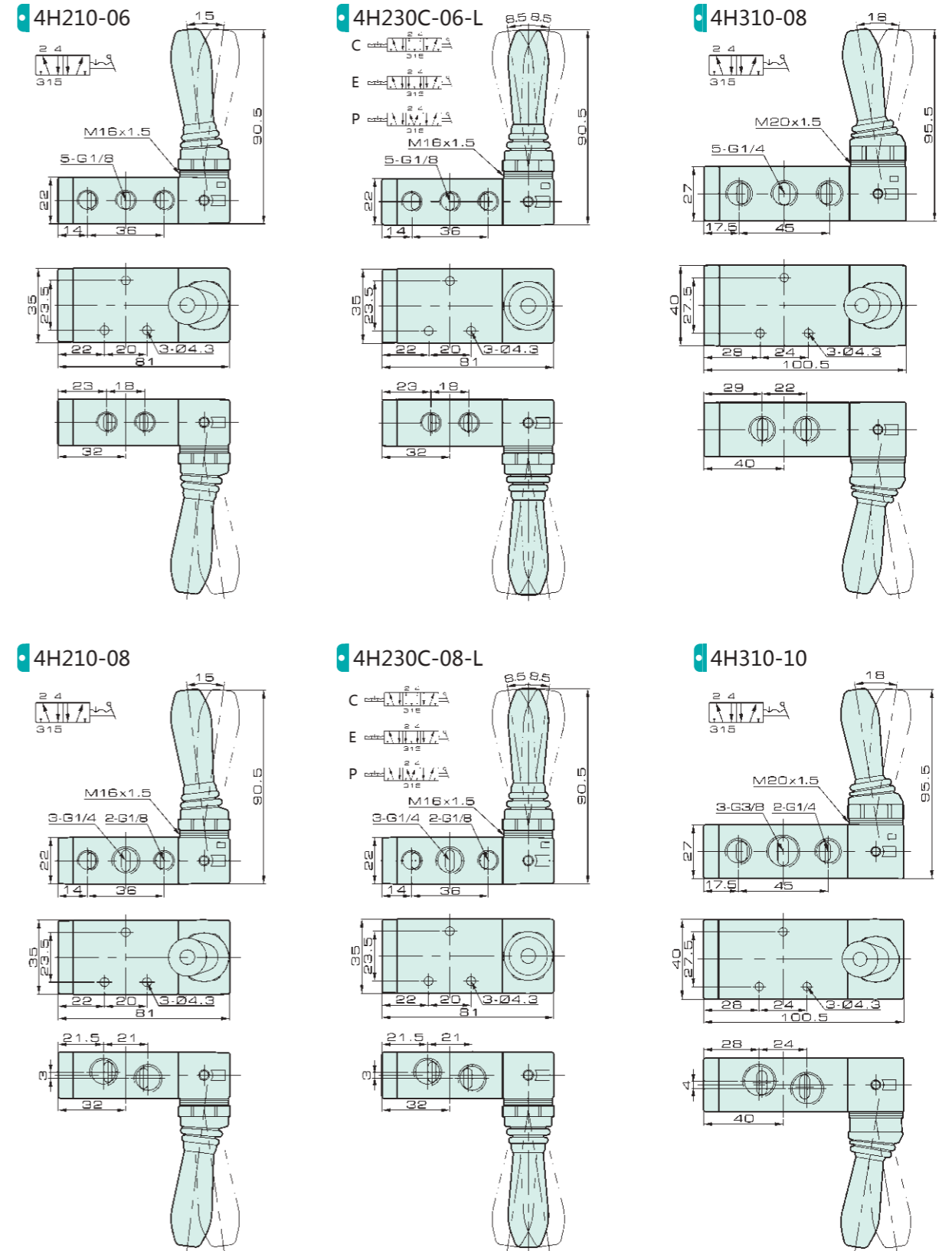
Parts

Number	Name	Number	Name
1	Back cover	6	Dirt-proof boot
2	Valve body	7	Lock nut
3	Flat ring	8	Gasket
4	Valve spool	9	Top cover
5	Handle	10	Set screw

ISO9001:2015 CE

4H Series Hand Pull Valve

Overall Dimension



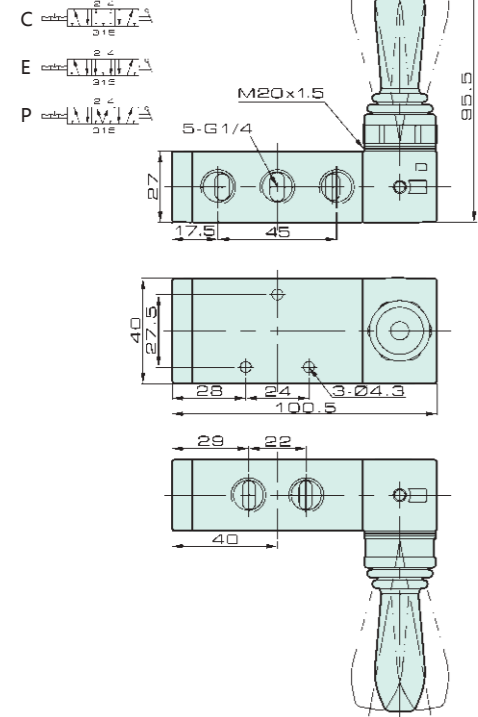
- Valve
- J4V
- J4V100
- J4V200
- J4V300
- J4V400
- 5V
- Manifold
- JSY
- 5JV
- MCS
- JVT307
- JEL
- MVSD
- VF
- BM
- NAMUR
- 551
- JEL10
- 3VJZF
- Diaphragm
- JELVD
- 3V1
- Coil
- 2P
- 2V
- 2W
- 2W(Big)
- 2L
- VX
- PU
- PU225
- 2Q
- JEL5404
- JEL6213
- BU
- Pulse
- JELJZF
- 4H**
- TSV
- MPV
- 4HV
- HV, K
- 4R
- 4F210
- FV
- MSV
- JM
- ASC, RE
- QE, QEA
- ST
- HSV

4H Series Hand Pull Valve

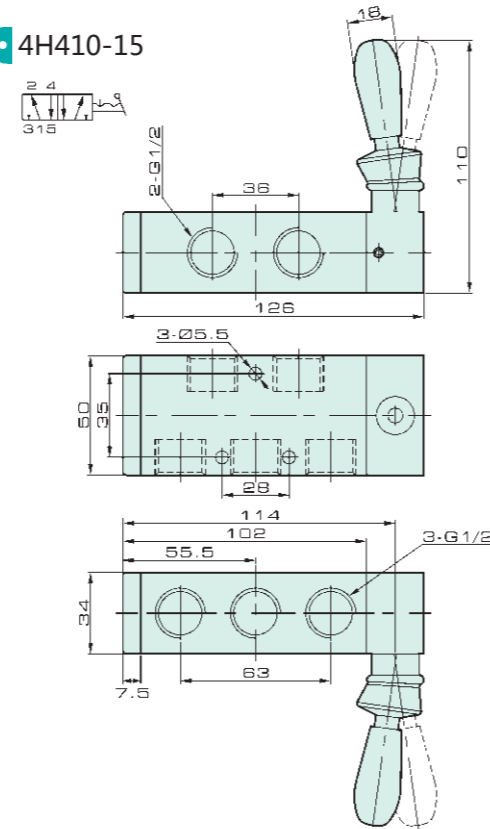


Overall Dimension

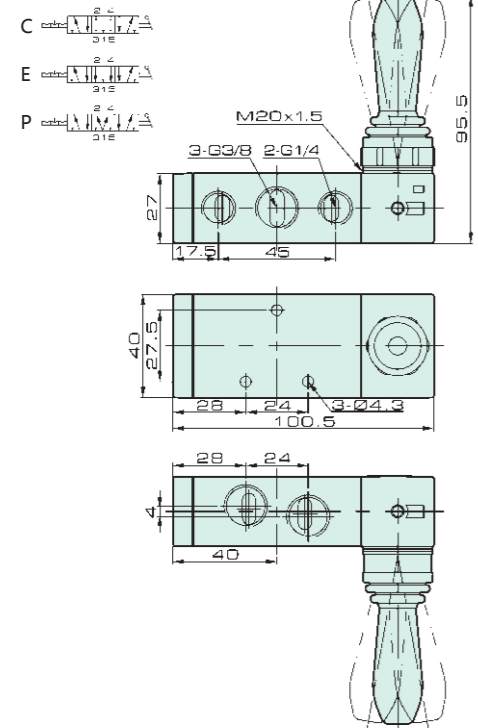
4H330C-08-L



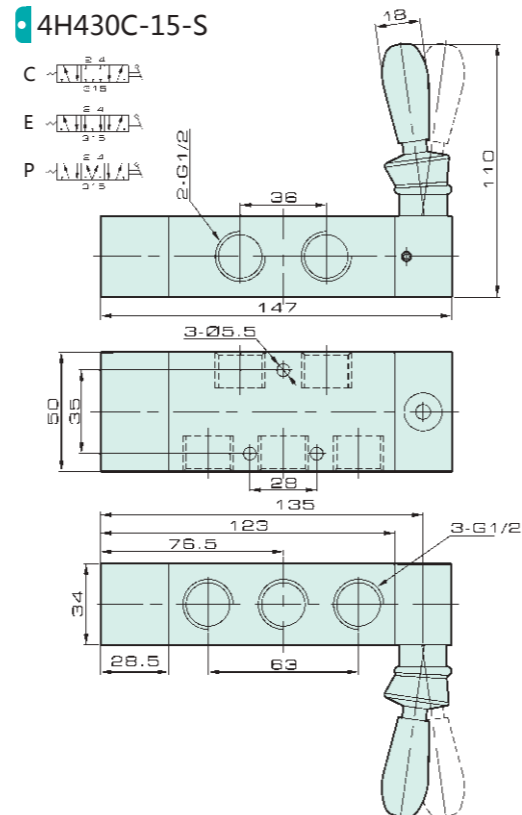
4H410-15



4H330C-10-L



4H430C-15-S

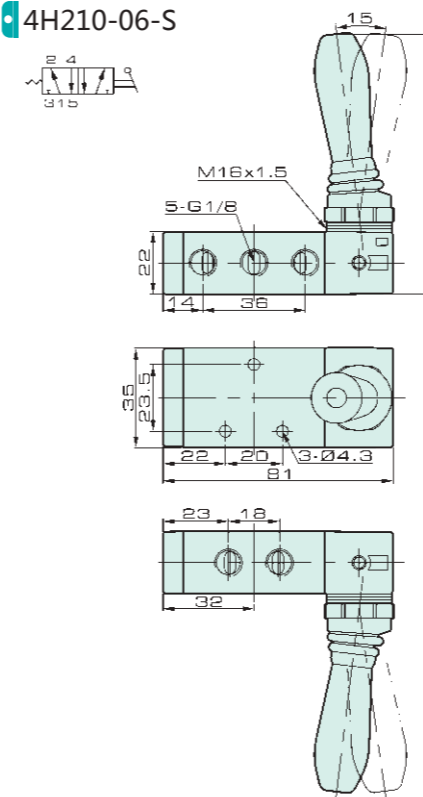


ISO9001:2015 CE

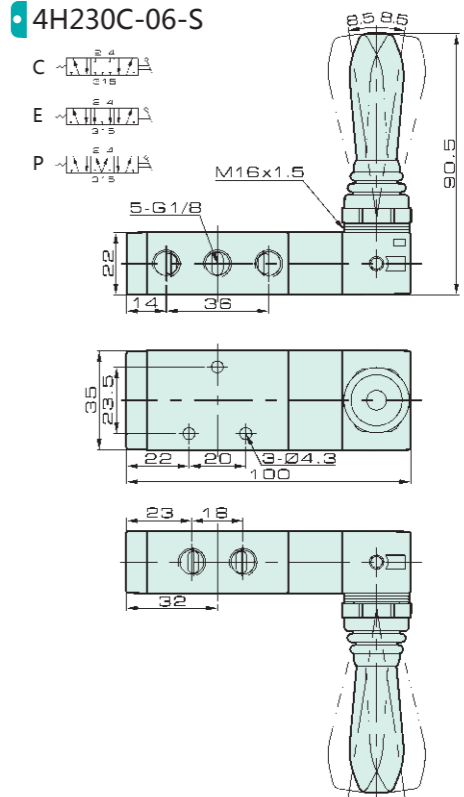
4H Series Hand Pull Valve

Overall Dimension

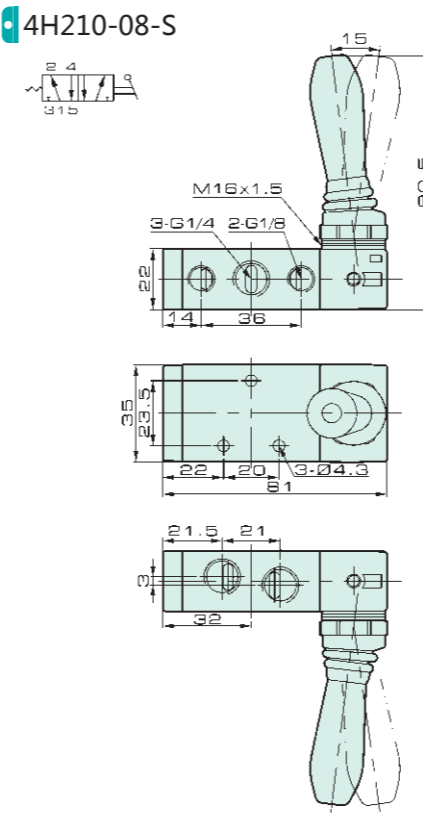
4H210-06-S



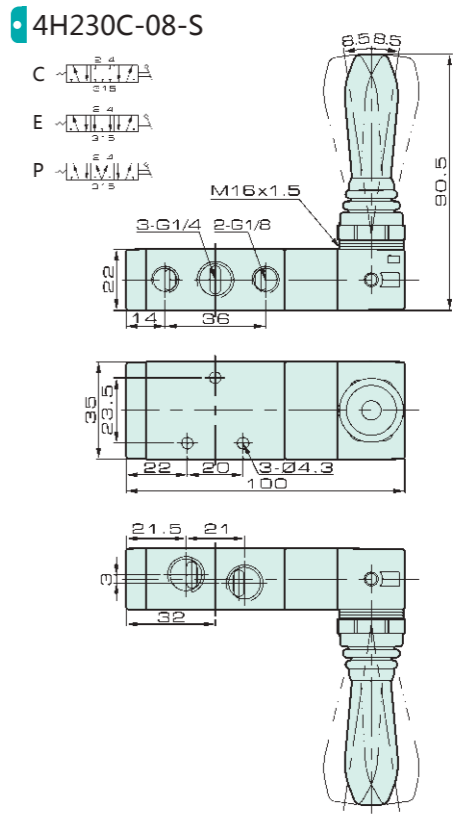
4H230C-06-S



4H210-08-S



4H230C-08-S



- Valve
- J4V
- J4V100
- J4V200
- J4V300
- J4V400
- 5V
- Manifold
- JSY
- 5JV
- MCS
- JVT307
- JEL
- MVSD
- VF
- BM
- NAMUR
- 551
- JEL10
- 3VJZF
- Diaphragm
- JELVD
- 3V1
- Coil
- 2P
- 2V
- 2W
- 2W(Big)
- 2L
- VX
- PU
- PU225
- 2Q
- JEL5404
- JEL6213
- BU
- Pulse
- JELJZF
- 4H**
- TSV
- MPV
- 4HV
- HV, K
- 4R
- 4F210
- FV
- MSV
- JM
- ASC, RE
- QE, QEA
- ST
- HSV

4H Series Hand Pull Valve



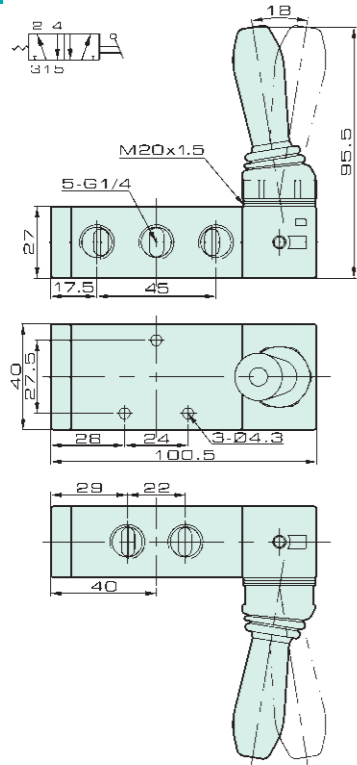
ISO9001:2015 CE

4H Series Hand Pull Valve

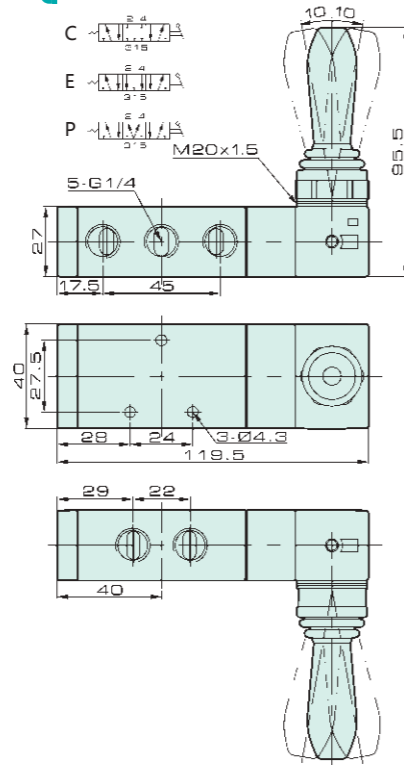
Overall Dimension

Overall Dimension

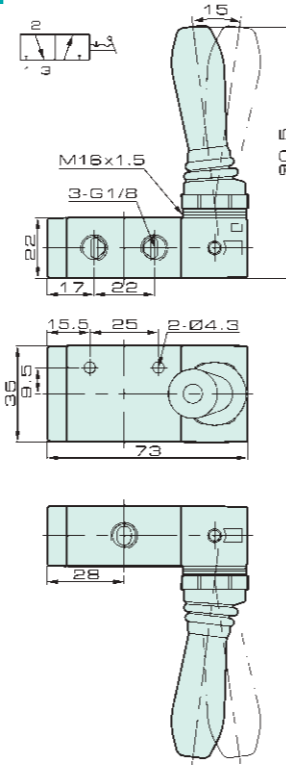
4H310-08-S



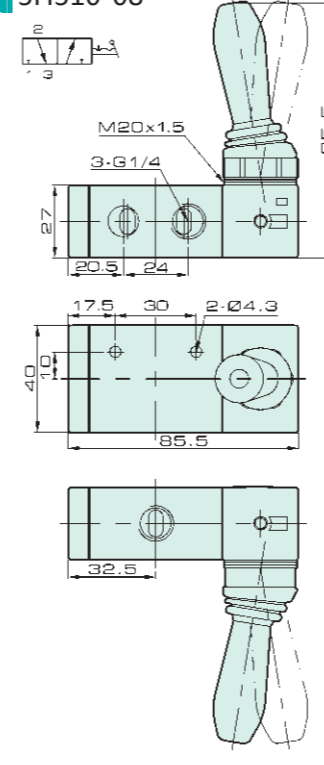
4H330C-08-S



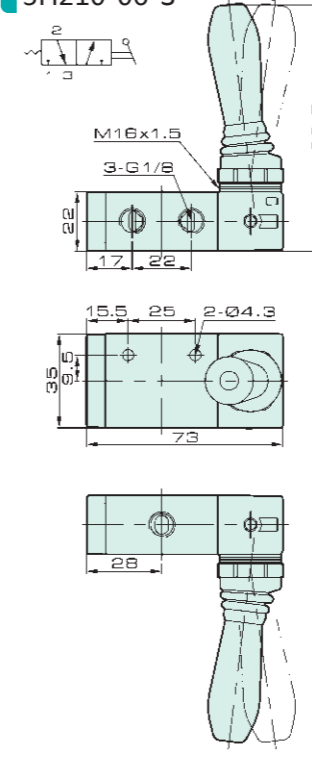
3H210-06



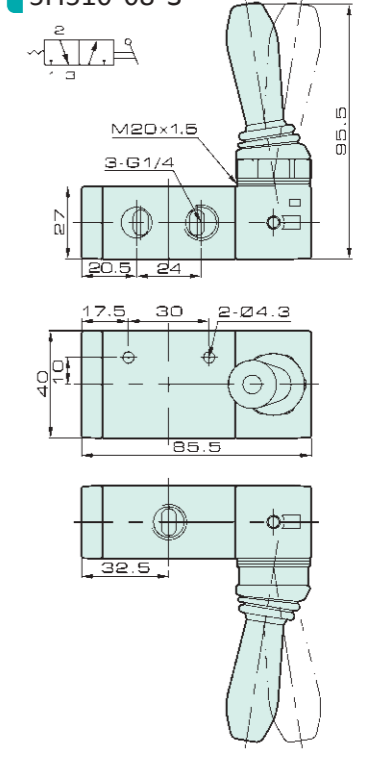
3H310-08



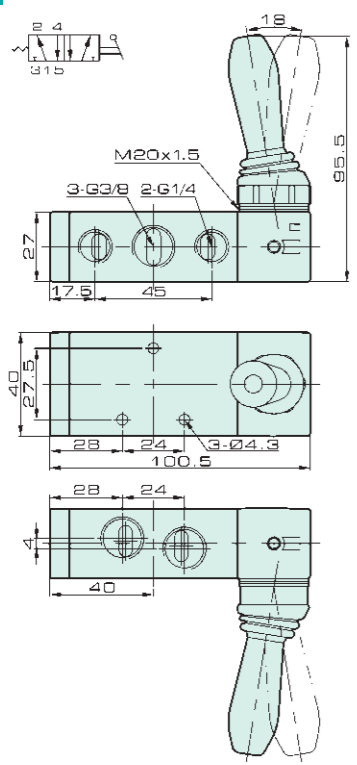
3H210-06-S



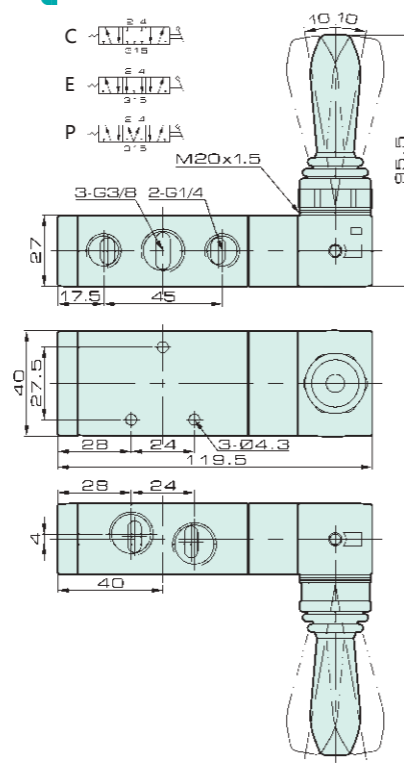
3H310-08-S



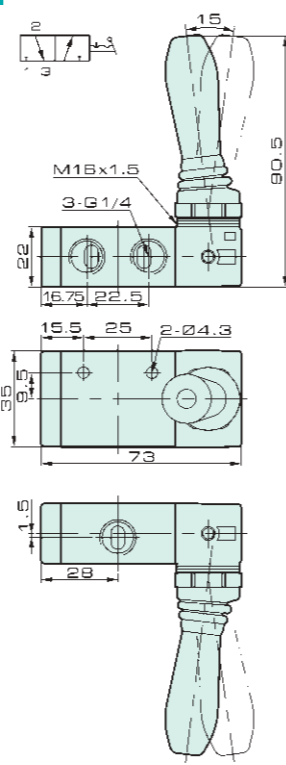
4H310-10-S



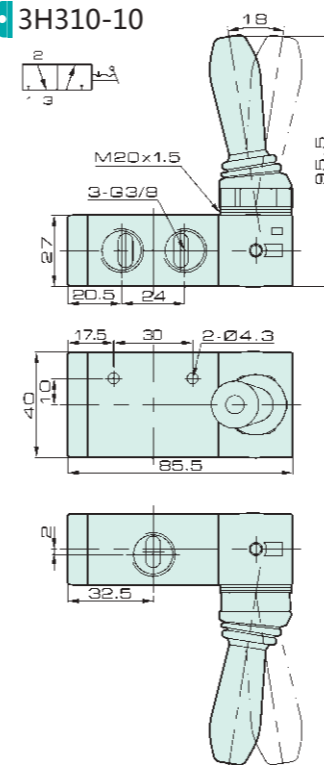
4H330C-10-S



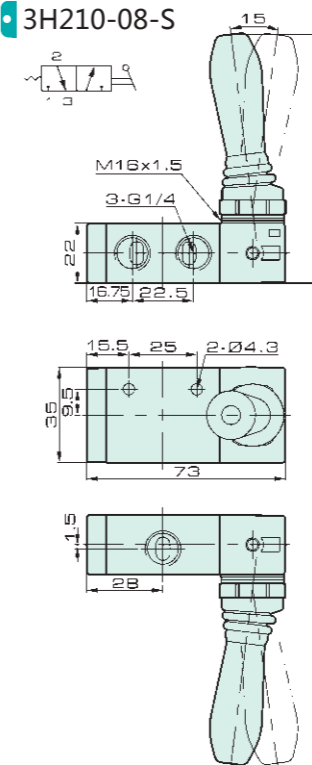
3H210-08



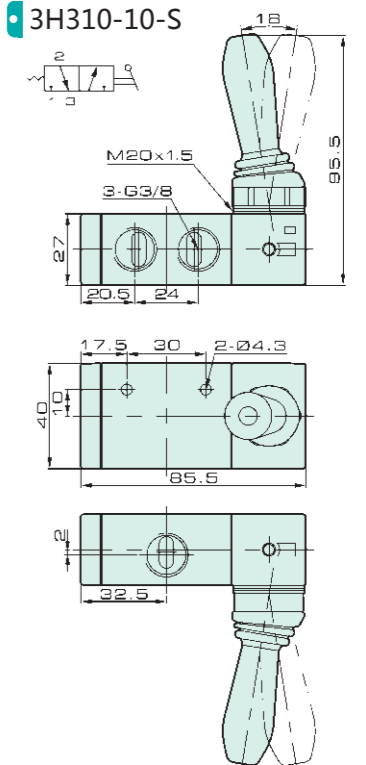
3H310-10



3H210-08-S



3H310-10-S



Valve
J4V
J4V100
J4V200
J4V300
J4V400
5V
Manifold
JSY
5JV
MCS
JVT307
JEL
MVSD
VF
BM
NAMUR
551
JEL10
3VJZF
Diaphragm
JELVD
3V1
Coil
2P
2V
2W
2W(Big)
2L
VX
PU
PU225
2Q
JEL5404
JEL6213
BU
Pulse
JELJZF
4H
TSV
MPV
4HV
HV, K
4R
4F210
FV
MSV
JM
ASC, RE
QE, QEA
ST
HSV

Valve
J4V
J4V100
J4V200
J4V300
J4V400
5V
Manifold
JSY
5JV
MCS
JVT307
JEL
MVSD
VF
BM
NAMUR
551
JEL10
3VJZF
Diaphragm
JELVD
3V1
Coil
2P
2V
2W
2W(Big)
2L
VX
PU
PU225
2Q
JEL5404
JEL6213
BU
Pulse
JELJZF
4H
TSV
MPV
4HV
HV, K
4R
4F210
FV
MSV
JM
ASC, RE
QE, QEA
ST
HSV