

4R Series Hand Draw Valve



Features

1. We guarantee inner hole roughness within our new processing.
2. New visual style, synchronized with global outstanding product standard.
3. To import German high standard special grease which provides film in order to reduce friction.
4. Valve spool use seals which import from Japan to increase the life time.

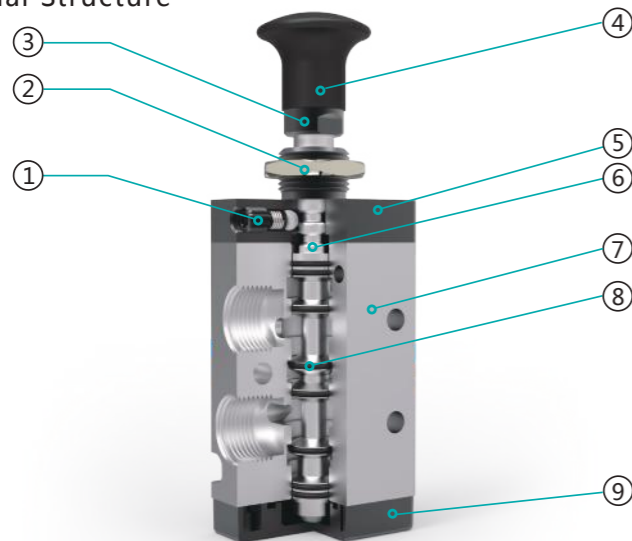
Ordering Code

4R	2	10	06
Specification	Series	Position Number	Port Size
4R: 5/2 Way Hand Draw Valve	100 Series	10: Single head Double	M5 : M5x0.8
3R: 3/2 Way Hand Draw Valve	200 Series	Position	06 : G1/8"
	300 Series		08 : G1/4"
			10 : G3/8"

Specification

Model	4R110-06	3R110-06	4R210-06	4R210-08	3R210-06	3R210-08	4R310-08	4R310-10	3R310-08	3R310-10
Working Medium	40 Micron Filtered Air									
Port Size	Inlet, Outlet, Exhaust Port = G1/8"		Inlet, Outlet, Exhaust Port = G1/8"	Inlet, Outlet, Exhaust Port = G1/8"	Inlet, Outlet, Exhaust Port = G1/4"	Inlet, Outlet, Exhaust Port = G1/4"	Inlet, Outlet, Exhaust Port = G1/4"	Inlet, Outlet, Exhaust Port = G1/4"	Inlet, Outlet, Exhaust Port = G1/4"	Inlet, Outlet, Exhaust Port = G3/8"
Effective Cross Section Area	10mm ² (CV=0.56)	14mm ² (CV=0.78)	16mm ² (CV=0.89)	14mm ² (CV=0.78)	16mm ² (CV=0.89)	25mm ² (CV=1.40)	30mm ² (CV=1.68)	25mm ² (CV=1.40)	30mm ² (CV=1.68)	30mm ² (CV=1.68)
Working Pressure	0 ~ 0.8MPa									
Working Temperature	-20 ~ 70°C									
Position Number	5/2 way	3/2 way	5/2 way	5/2 way	3/2 way	3/2 way	5/2 way	5/2 way	3/2 way	3/2 way

Internal Structure



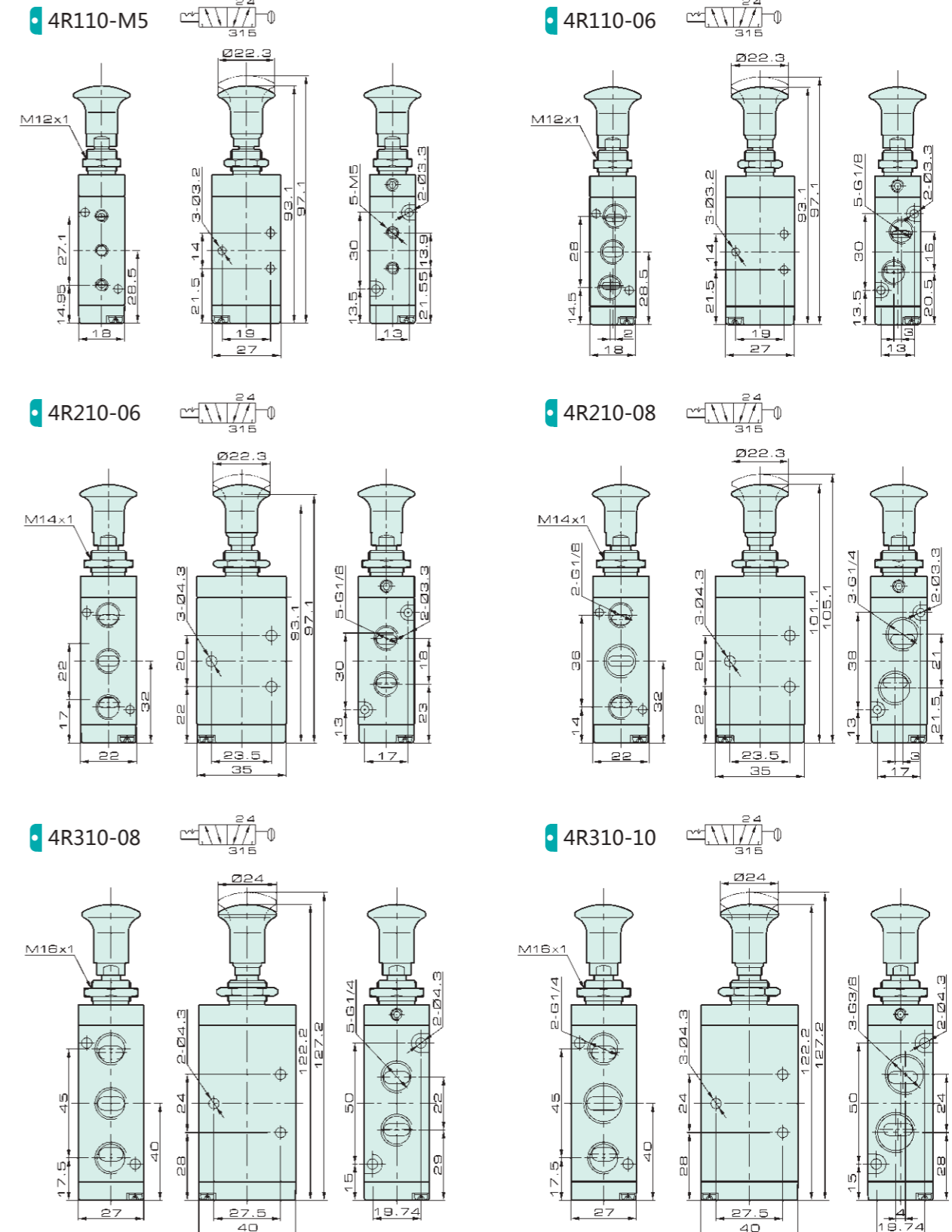
Parts

Number	Name
1	Set screw
2	Hexagon nut
3	Lock nut
4	Handle
5	Top cover
6	Valve spool
7	Valve body
8	Flat ring
9	Cover

ISO9001:2015 CE

4R Series Hand Draw Valve

Overall Dimension



Valve

J4V

J4V100

J4V200

J4V300

J4V400

5V

Manifold

JSY

5JV

MCS

JVT307

JEL

MVSD

VF

BM

NAMUR

551

JEL10

3VJZF

Diaphragm

JELVD

3V1

Coil

2P

2V

2W

2W(Big)

2L

VX

PU

PU225

2Q

JEL5404

JEL6213

BU

Pulse

JELJZF

4H

TSV

MPV

4HV

HV, K

4R

4F210

FV

MSV

JM

ASC, RE

QE, QEA

ST

HSV

4R Series

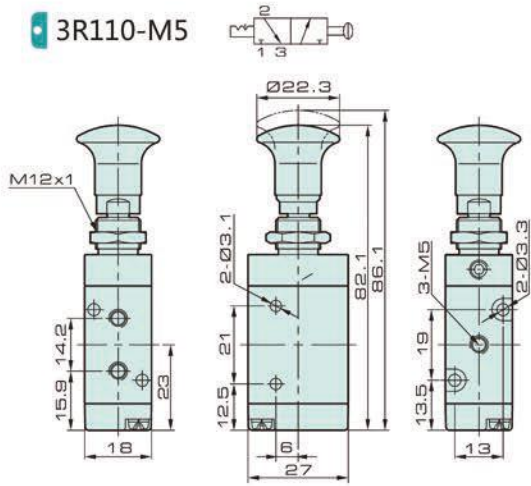
Hand Draw Valve



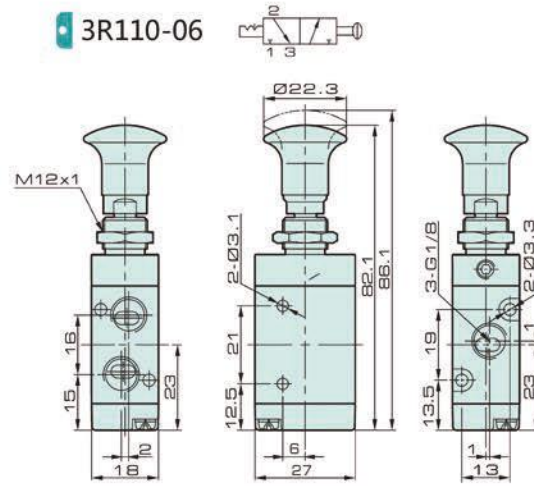
Overall Dimension

- Valve
- J4V
- J4V100
- J4V200
- J4V300
- J4V400
- 5V
- Manifold
- JSY
- 5JV
- MCS
- JVT307
- JEL
- MVSD
- VF
- BM
- NAMUR
- 551
- JEL10
- 3VJZF
- Diaphragm
- JELVD
- 3V1
- Coil
- 2P
- 2V
- 2W
- 2W(Big)
- 2L
- VX
- PU
- PU225
- 2Q
- JEL5404
- JEL6213
- BU
- Pulse
- JELJZF
- 4H
- TSV
- MPV
- 4HV
- HV, K
- 4R**
- 4F210
- FV
- MSV
- JM
- ASC, RE
- QE, QEA
- ST
- HSV

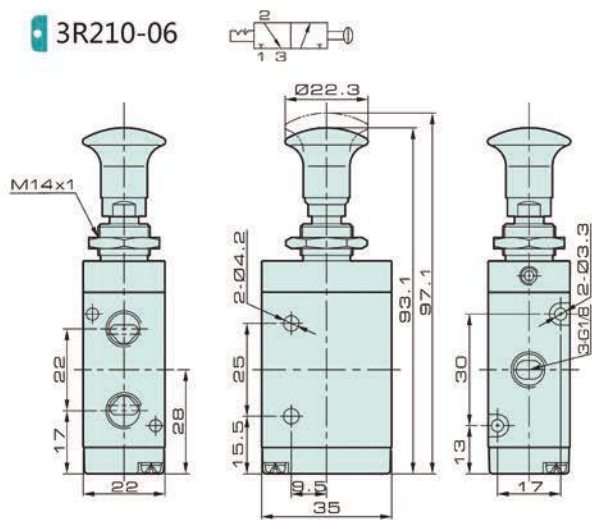
3R110-M5



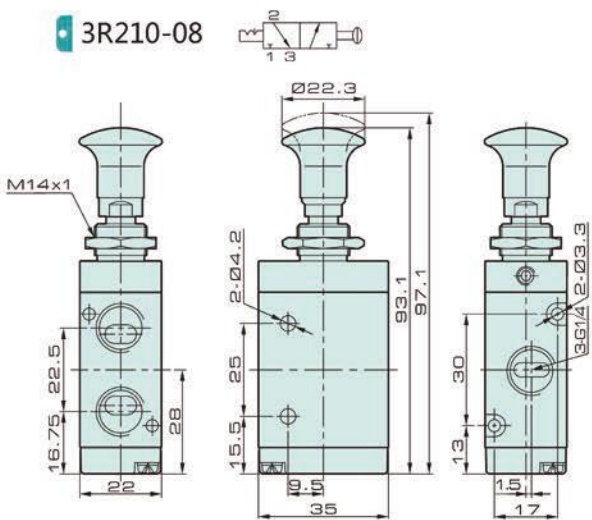
3R110-06



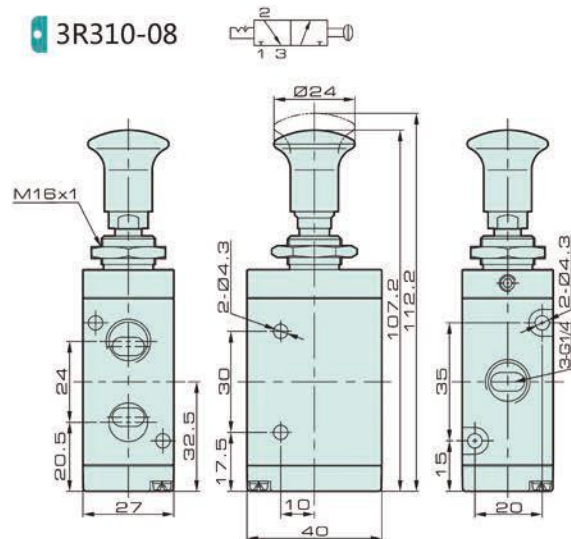
3R210-06



3R210-08



3R310-08



3R310-10

