

# AC, BC Series

Three-devices Combination  
(F.R.L. Combination)



AC2000



AC2000



BC(2000~4000)

FRL

AC, BC

AFC, BFC

AF, BF

AR, BR

AFR, BFR

AL, BL

JAC

JAF

JAR

JAW

JAL

JC

X-FE

FE

GC

ZYR10

PTH

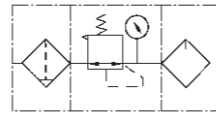
JAD

DPS

## Ordering Code

BC	3000	D
Model	Port Size	Drain Type
AC: Small	1500: G1/8"	Blank: Semi-automatic
	2000: G1/4"	D: Automatic
	3000: G3/8"	* Not applied to AC
BC: Medium	4000: G1/2"	

## Symbol



## Specification

Model	AC1500	AC2000	BC2000	BC3000	BC4000	
Operating Fluid	Air					
Port Size	G1/8"	G1/4"	G1/4"	G3/8"	G1/2"	
Filter Precision	40 μ					
Range of Adjustable Pressure	0.05 ~ 0.85 MPa					
Max. Adjustable Pressure	0.95 MPa					
Proof Pressure Resistance	1.5 MPa					
Operating Temperature Range	5 ~ 60 °C					
Capacity of Filter Cup	15 cc		60 cc			
Capacity of oil Cup	25 cc		90 cc			
Recommended Lubricant	ISO VG 32 or Same Grade Oil					
Weight	0.7 KG		0.9 KG			
Material	Body Aluminum Alloy Die-casting Forming					
	Container Cup PC					
	Protective Cover - Iron					
Components	Filter Regulator	AF1500	AF2000	BF2000	BF3000	BF4000
	Regulator	AR1500	AR2000	BR2000	BR3000	BR4000
	Lubricator	AL1500	AL2000	BL2000	BL3000	BL4000

ISO9001:2015 CE

# AFC, BFC Series

Two-devices Combination  
(F.R.L. Combination)



AFC2000



AFC2000

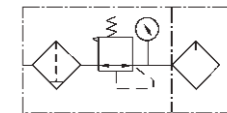


BFC(2000~4000)

## Ordering Code

BFC	3000	D
Model	Port size	Drain Type
AFC: Small	1500: G1/8"	Blank: Semi-automatic
	2000: G1/4"	D: Automatic
	3000: G3/8"	* Not applied to AFC
BFC: Medium	4000: G1/2"	

## Symbol



## Specification

Model	AFC1500	AFC2000	BFC2000	BFC3000	BFC4000	
Operating Fluid	Air					
Port Size	G1/8"	G1/4"	G1/4"	G3/8"	G1/2"	
Filter Precision	40 μ					
Range of Adjustable Pressure	0.05 ~ 0.85 MPa					
Max. Adjustable Pressure	0.95 MPa					
Proof Pressure Resistance	1.5 MPa					
Operating Temperature Range	5 ~ 60 °C					
Capacity of Filter Cup	15 cc		60 cc			
Capacity of oil Cup	25 cc		90 cc			
Recommended Lubricant	ISO VG 32 or Same Grade Oil					
Weight	0.5 KG		0.7 KG			
Material	Body Aluminum Alloy Die-casting Forming					
	Container Cup PC					
	Protective Cover - Iron					
Components	Filter Regulator	AFR1500	AFR2000	BFR2000	BFR3000	BFR4000
	Lubricator	AL1500	AL2000	BL2000	BL3000	BL4000

FRL

AC, BC

AFC, BFC

AF, BF

AR, BR

AFR, BFR

AL, BL

JAC

JAF

JAR

JAW

JAL

JC

X-FE

FE

GC

ZYR10

PTH

JAD

DPS

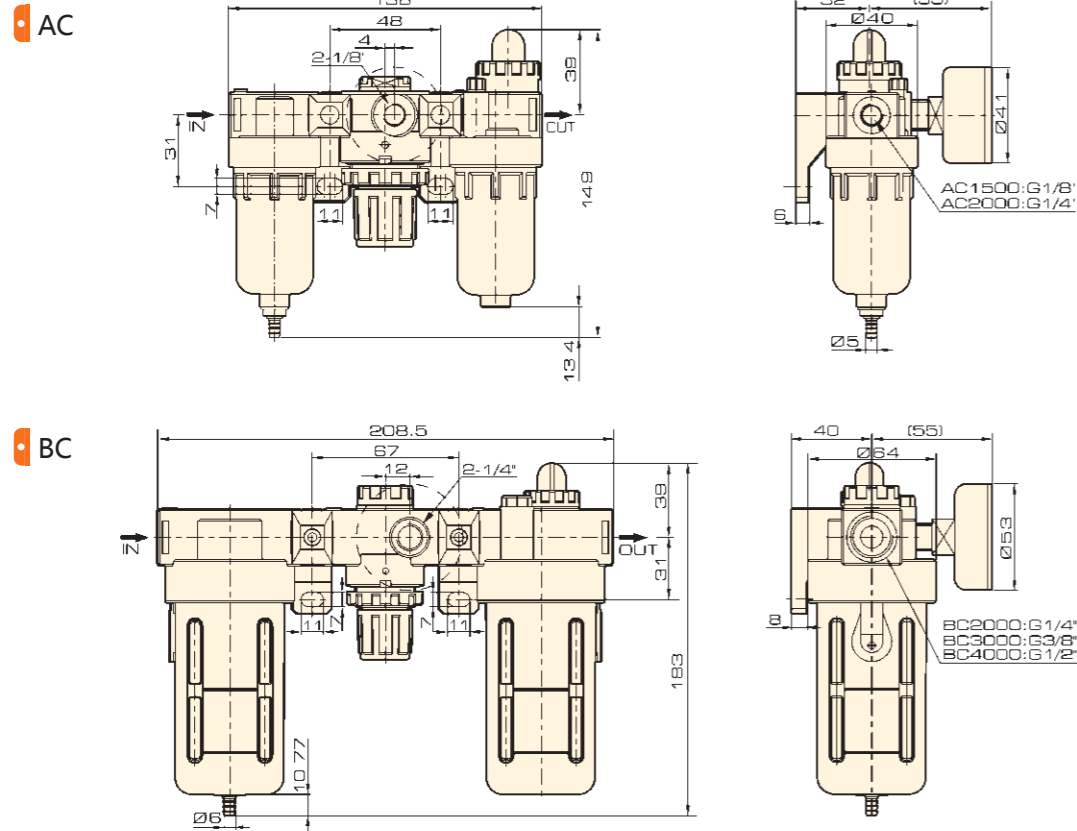
# AC, BC Series AFC, BFC Series



## AC, BC Series

### Three-devices Combination (F.R.L. Combination)

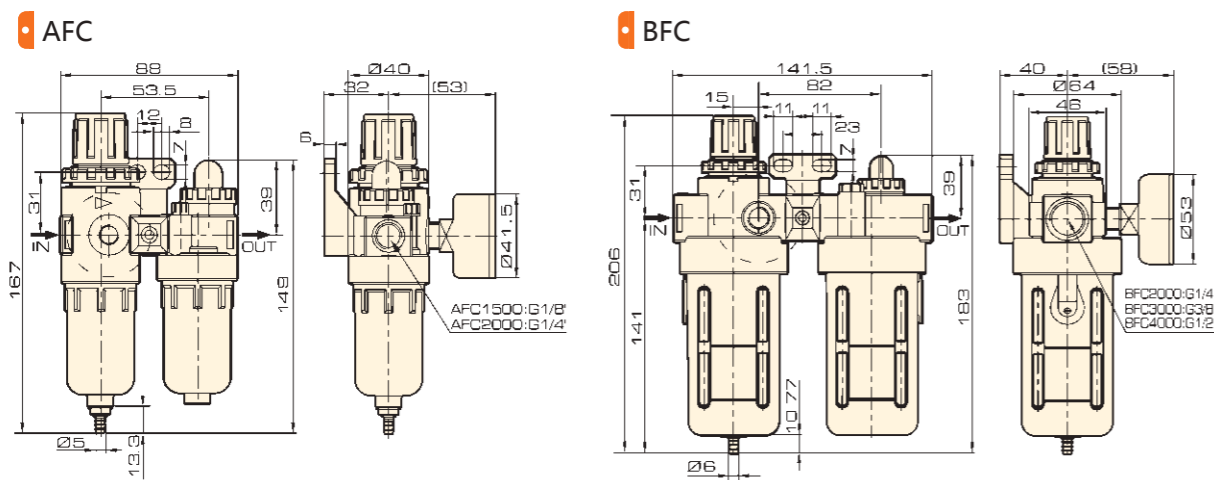
#### Overall Dimension



## AFC, BFC Series

### Two-devices Combination (FR.L. Combination)

#### Overall Dimension



ISO9001:2015 CE

# AF, BF Series Filter



AF2000

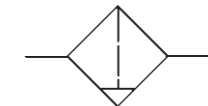


BF (2000 ~ 4000)

#### Ordering Code

Model	Port Size	Drain Type
AF : Small	1500: G1/8"	Blank: Semi-automatic
	2000: G1/4"	D: Automatic
BF : Medium	3000: G3/8"	* Not applied to AF
	4000: G1/2"	

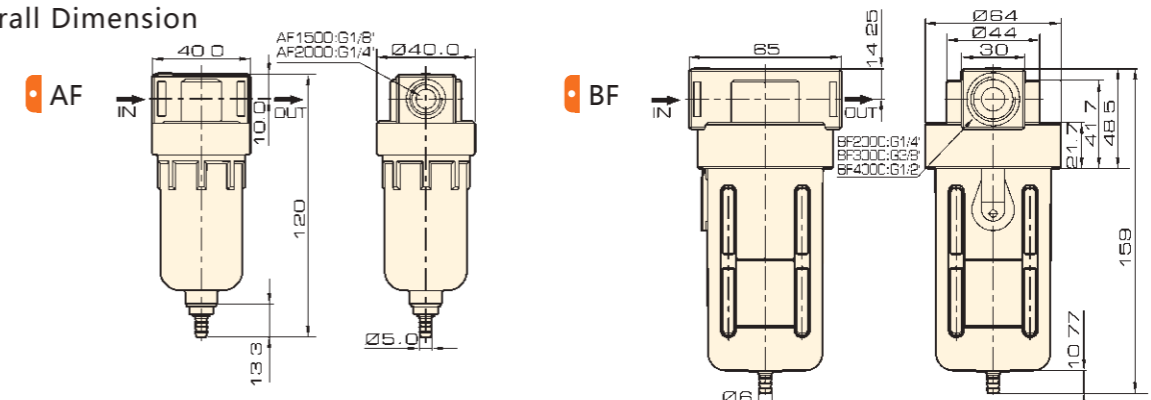
#### Symbol



#### Specification

Model	AF1500	AF2000	BF2000	BF3000	BF4000
Operating Fluid	Air				
Port Size	G1/8"	G1/4"	G1/4"	G3/8"	G1/2"
Filter Precision	40 μ				
Proof Pressure Resistance	1.5 MPa				
Operating Temperature Range	5 ~ 60 °C				
Capacity of Filter Cup	15 cc		60 cc		
Weight	0.14 KG		0.33 KG		
Material	Body	Aluminum Alloy Die-casting Forming			
	Container Cup	PC			
	Protective Cover	Iron			

#### Overall Dimension



FRL  
AC, BC  
AFC, BFC  
AF, BF  
AR, BR  
AFR, BFR  
AL, BL  
JAC  
JAF  
JAR  
JAW  
JAL  
JC  
X-FE  
FE  
GC  
ZYR10  
PTH  
JAD  
DPS

FRL  
AC, BC  
AFC, BFC  
AF, BF  
AR, BR  
AFR, BFR  
AL, BL  
JAC  
JAF  
JAR  
JAW  
JAL  
JC  
X-FE  
FE  
GC  
ZYR10  
PTH  
JAD  
DPS

# AR, BR Series Regulator



BR (2000~4000)



AR2000

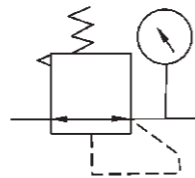


AR2000

## Ordering Code

BR	3000
Model	Port Size
AR : Small	1500: G1/8"
	2000: G1/4"
	3000: G3/8"
BR : Medium	4000: G1/2"

## Symbol

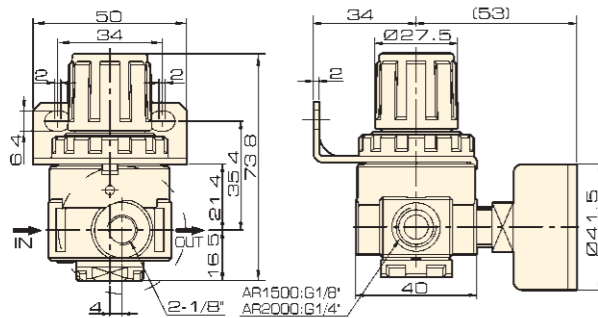


## Specification

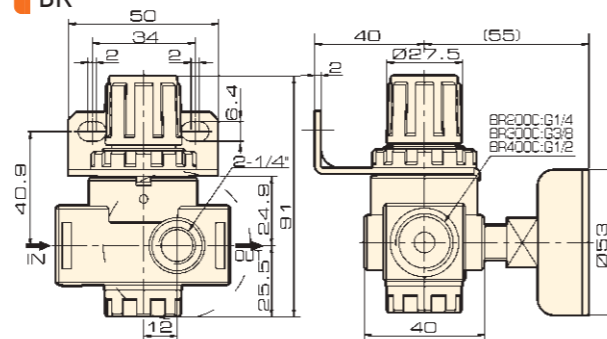
Model	AR1500	AR2000	BR2000	BR3000	BR4000
Operating Fluid	Air				
Port Size	G1/8"	G1/4"	G1/4"	G3/8"	G1/2"
Range of Adjustable Pressure	0.05 ~ 0.85 MPa				
Max. Adjustable Pressure	0.95 MPa				
Proof Pressure Resistance	1.5 MPa				
Operating Temperature Range	5 ~ 60 °C				
Weight	0.20 KG		0.23 KG		
Body Material	Aluminum alloy, Die-casting Forming				

## Overall Dimension

### AR



### BR



ISO9001:2015 CE

# AFR, BFR Series Filter & Regulator



AFR2000



AFR2000

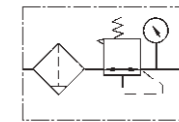


BFR(2000~4000)

## Ordering Code

BFR	2000	D
Model	Port Size	Drain Type
AFR: Small	1500: G1/8"	Blank: Semi-automatic
	2000: G1/4"	D: Automatic
BFR: Medium	3000: G3/8"	* Not applied to AFR
	4000: G1/2"	

## Symbol

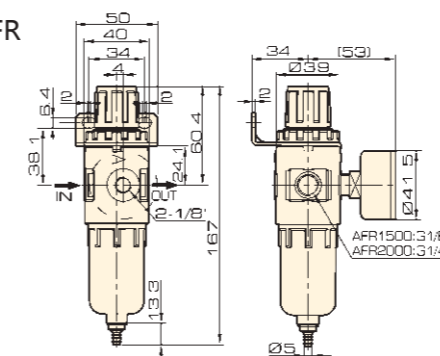


## Specification

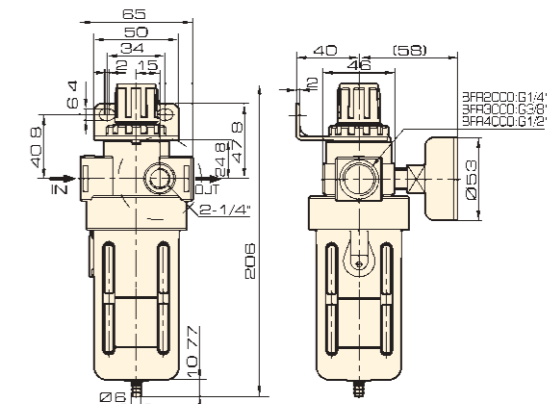
Model	AFR1500	AFR2000	BFR2000	BFR3000	BFR4000
Operating Fluid	Air				
Port Size	G1/8"	G1/4"	G1/4"	G3/8"	G1/2"
Range of Adjustable Pressure	0.05 ~ 0.85 MPa				
Max. Adjustable Pressure	0.95 MPa				
Proof Pressure Resistance	1.5 MPa				
Operating Temperature Range	5 ~ 60 °C				
Capacity of Filter Cup	15 cc		60 cc		
Weight	0.26 KG		0.4 KG		
Material	Body	Aluminum Alloy, Die-casting Forming			
	Container Cup	PC			
	Protective Cover	-			
			Iron		

## Overall Dimension

### AFR



### BFR



# AL, BL Series

## Lubricator



AL2000



AL2000



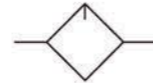
BL (2000~4000)

- FRL
- AC, BC
- AFC, BFC
- AF, BF
- AR, BR
- AFR, BFR
- AL, BL**
- JAC
- JAF
- JAR
- JAW
- JAL
- JC
- X-FE
- FE
- GC
- ZYR10
- PTH
- JAD
- DPS

### Ordering Code

BL	3000
Model	Port Size
AL: Small	1500: G1/8"
	2000: G1/4"
	3000: G3/8"
BL: Medium	4000: G1/2"

### Symbol

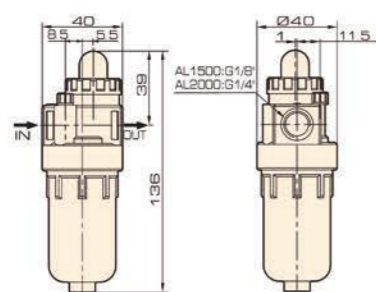


### Specification

Model	AL1500	AL2000	BL2000	BL3000	BL4000
Operating Fluid	Air				
Port Size	G1/8"	G1/4"	G1/4"	G3/8"	G1/2"
Range of Adjustable Pressure	1.5 MPa				
Proof Pressure Resistance	5 ~ 60 °C				
Operating Temperature Range	ISO VG 32 or Same Grade Oil				
Capacity of Filter Cup	25 cc		90 cc		
Weight	0.17 KG		0.25 KG		
Material	Body	Aluminum Alloy Die-casting Forming			
	Container Cup	PC			
	Protective Cover	-		Iron	

### Overall Dimension

#### AL



#### BL

