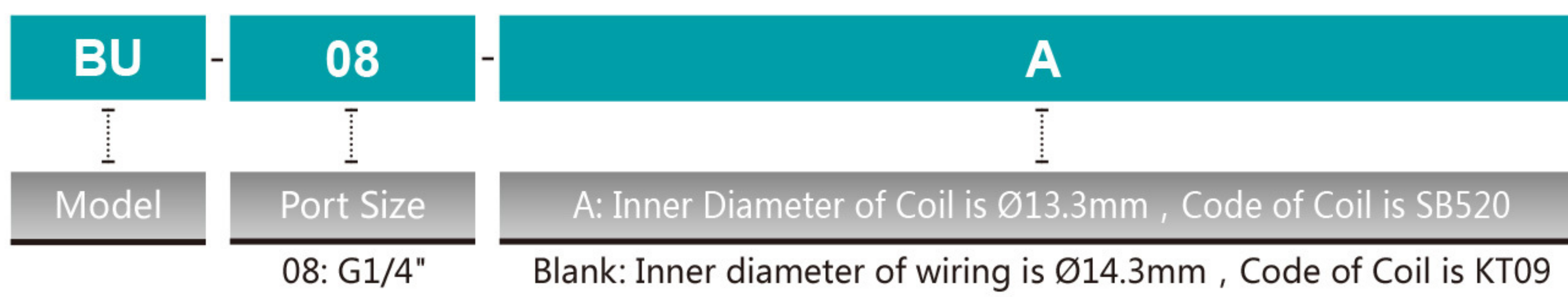
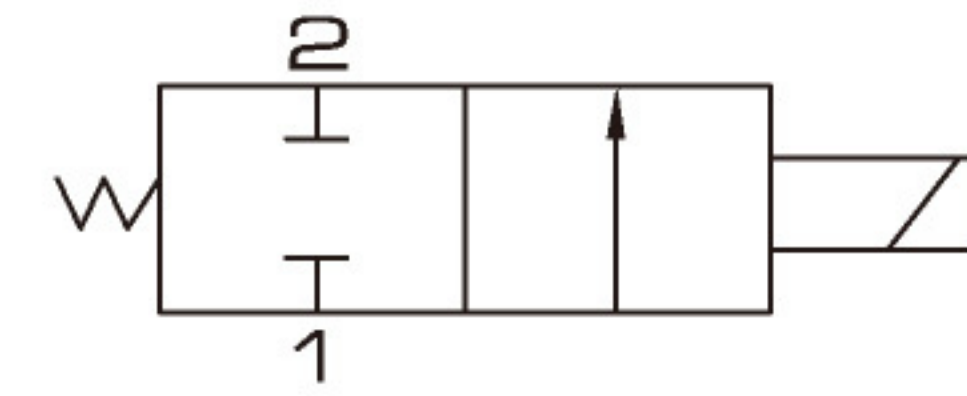




### Ordering Code



### Symbol

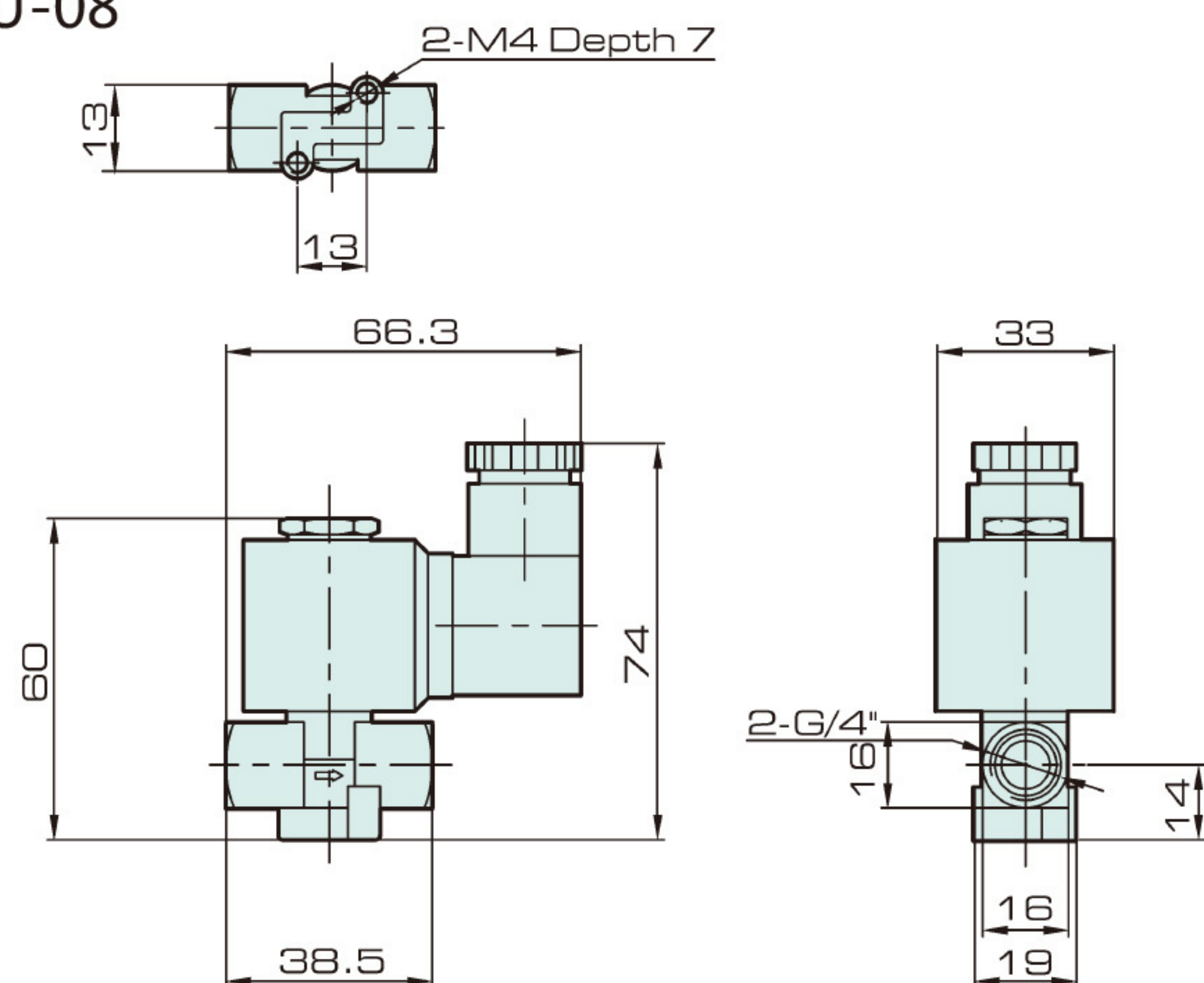


### Specification

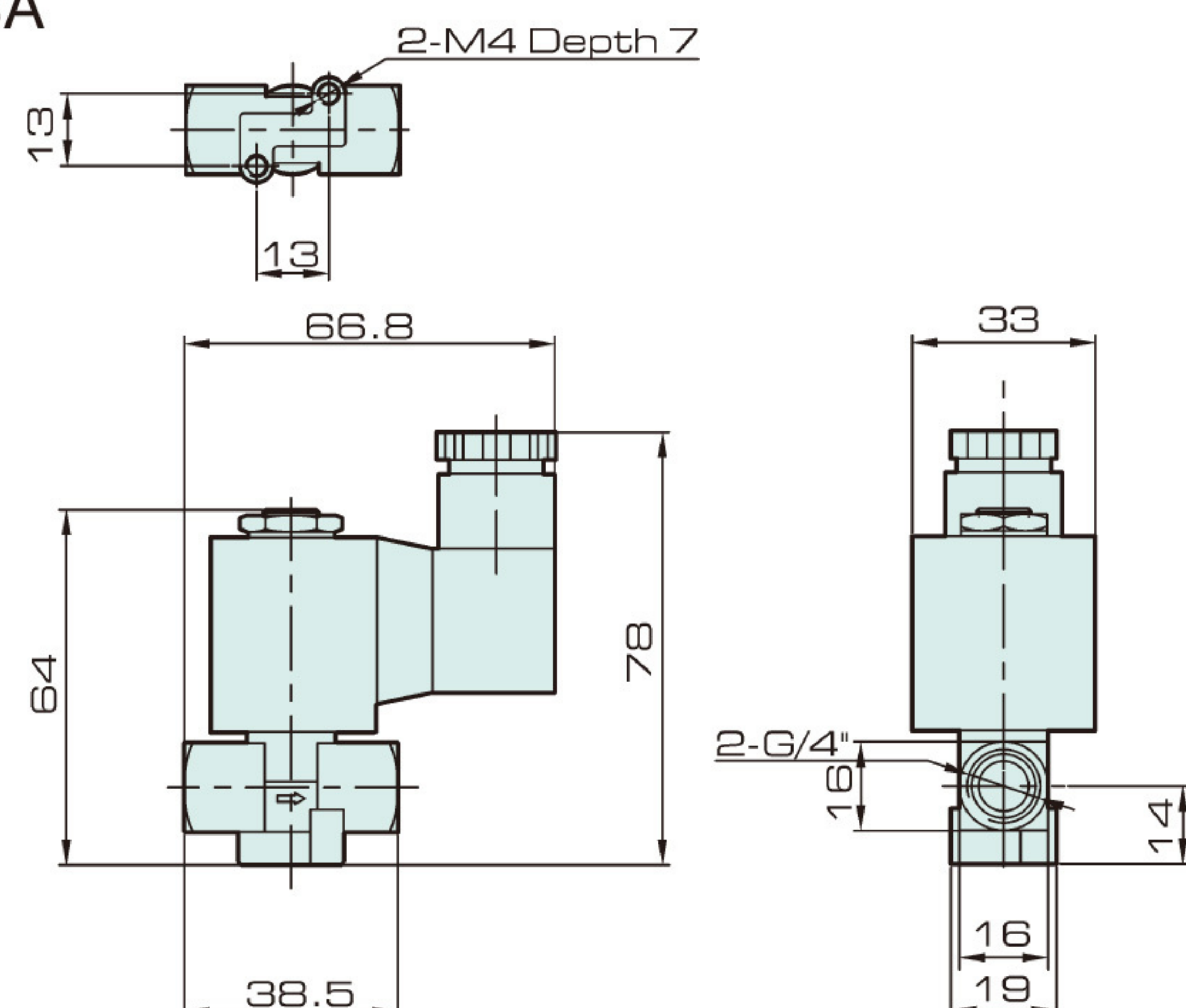
Model	BU-08, BU-08A
Position Number	2/2 Way
Orifice Size	Ø 2.8 mm
Operation	Direct
Filter Precision	Air, Water, Oil
Working Pressure	0 ~ 1.0 MPa
Working Temperature	-10 ~150 °C
Voltage Range	± 10%
Protection Class	IP 65
Power Consumption	AC : 13 VA, DC : 9 W
Insulation	F Class

### Overall Dimension

#### BU-08



#### BU-08A



### Valve

- J4V
- J4V100
- J4V200
- J4V300
- J4V400
- 5V
- Manifold
- JSY
- 5JV
- MCS
- JVT307
- JEL
- MVSD
- VF
- BM
- NAMUR
- 551
- JEL10
- 3VJZF
- Diaphragm
- JELVD
- 3V1
- Coil
- 2P
- 2V
- 2W
- 2W(Big)
- 2L
- VX
- PU
- PU225
- 2Q
- JEL5404
- JEL6213
- BU**
- Pulse
- JELJZF
- 4H
- TSV
- MPV
- 4HV
- HV, K
- 4R
- 4F210
- FV
- MSV
- JM
- ASC, RE
- QE, QEA
- ST
- HSV