



FV320



FV420

Ordering Code

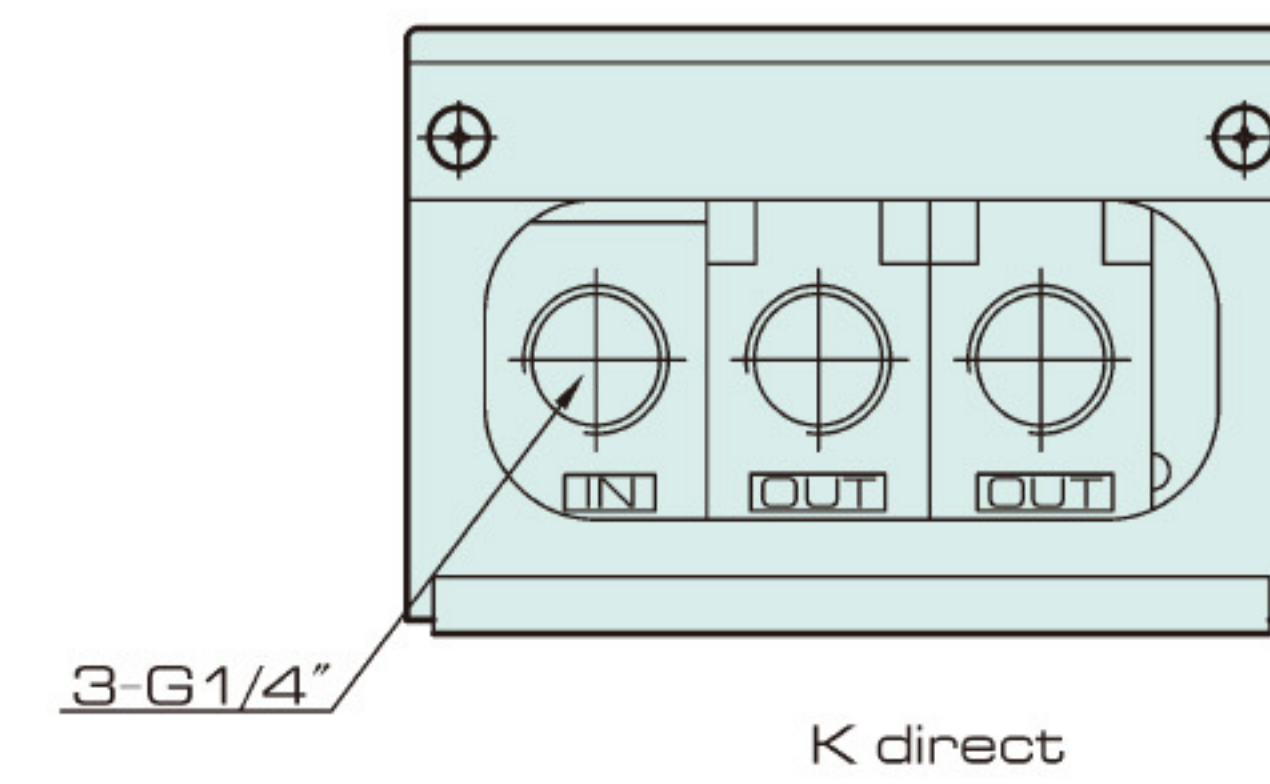
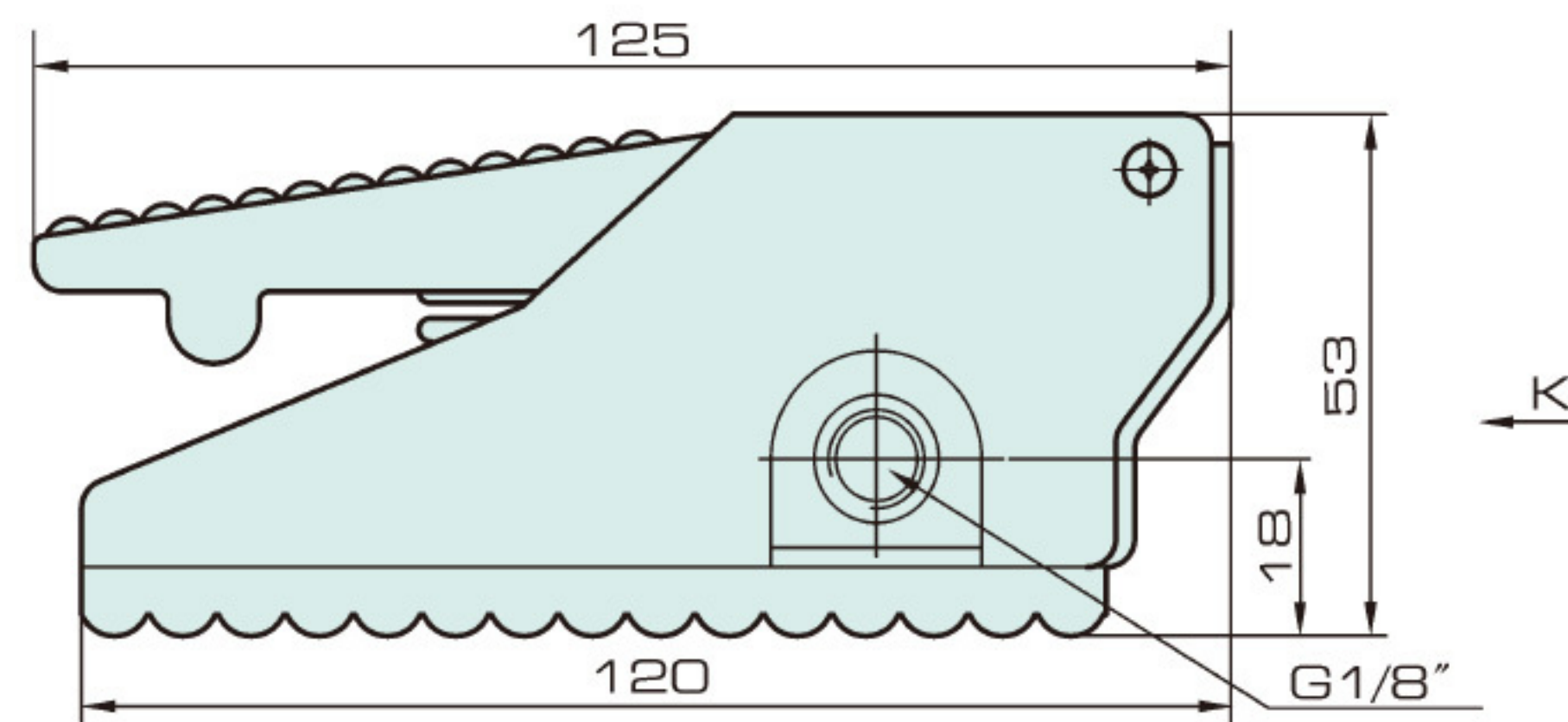
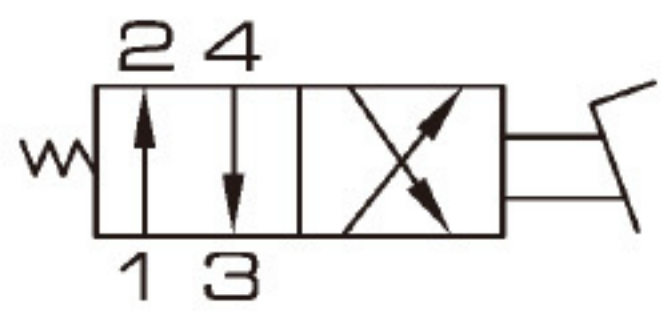
FV	320
Specification	Position Number
Foot Valve	320 : 3/2 way 420 : 4/2 way

Specification

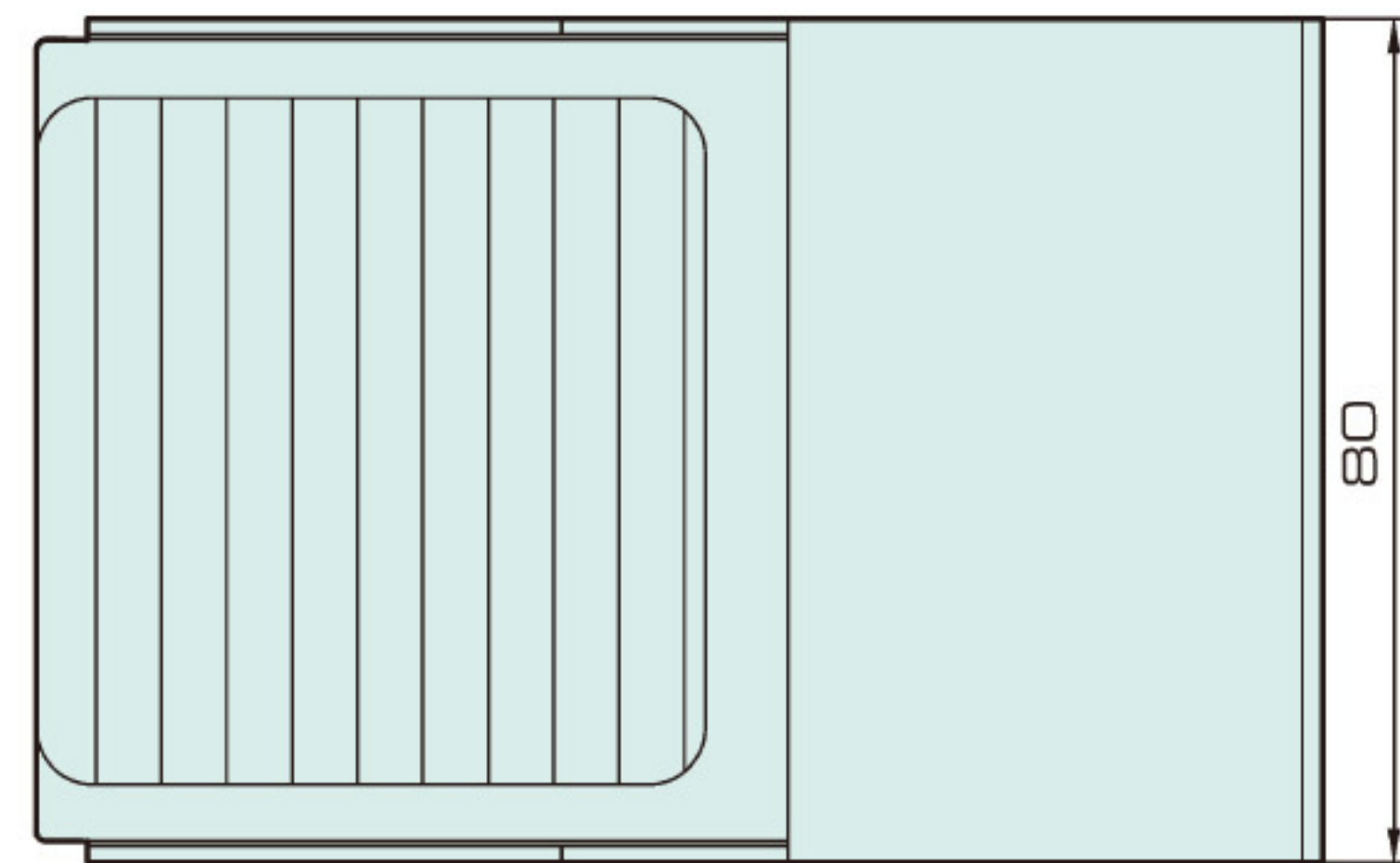
Model	FV420	FV320
Working Medium	40 Micron Filtered Air	
Position Number	4/2 way	3/2 way
Port Size	Inlet, Outlet = G1/4" Exhaust Port = G1/8"	
Operation	Direct	
Working Pressure	0 ~ 0.8 MPa	
Working Temperature	-20 ~ 70°C	

Overall Dimension

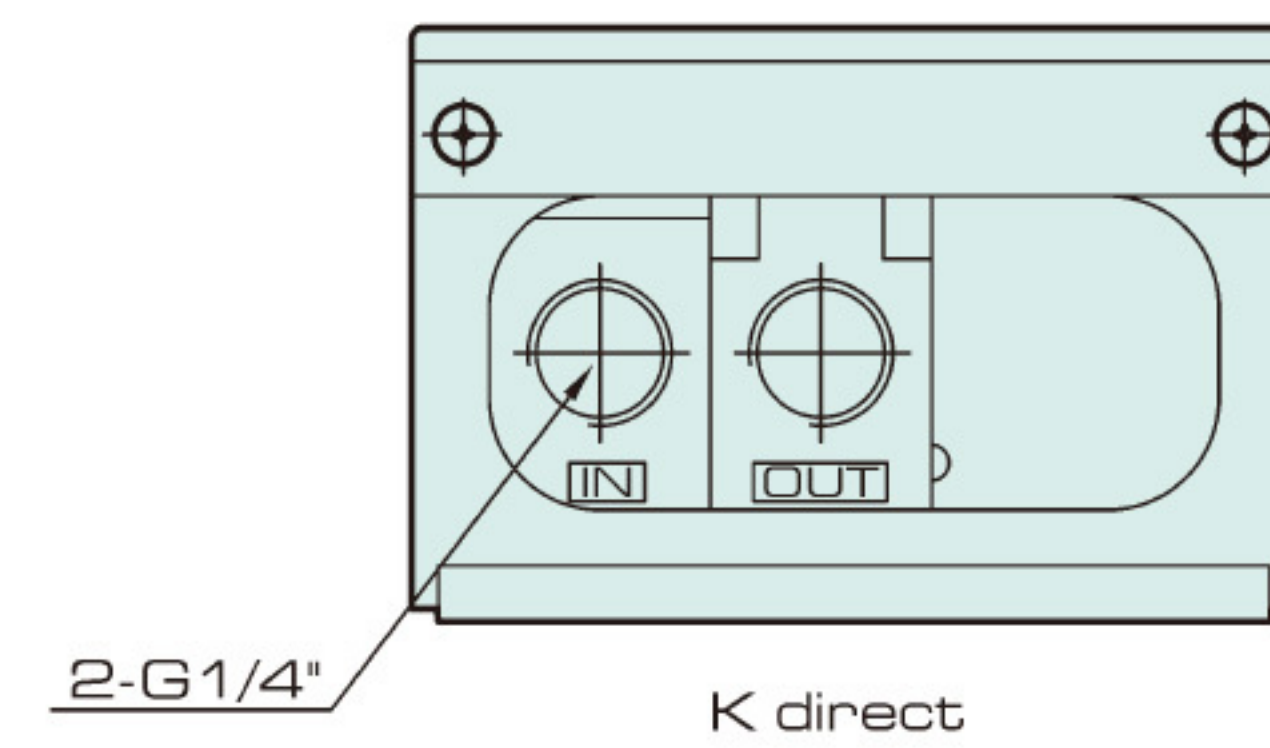
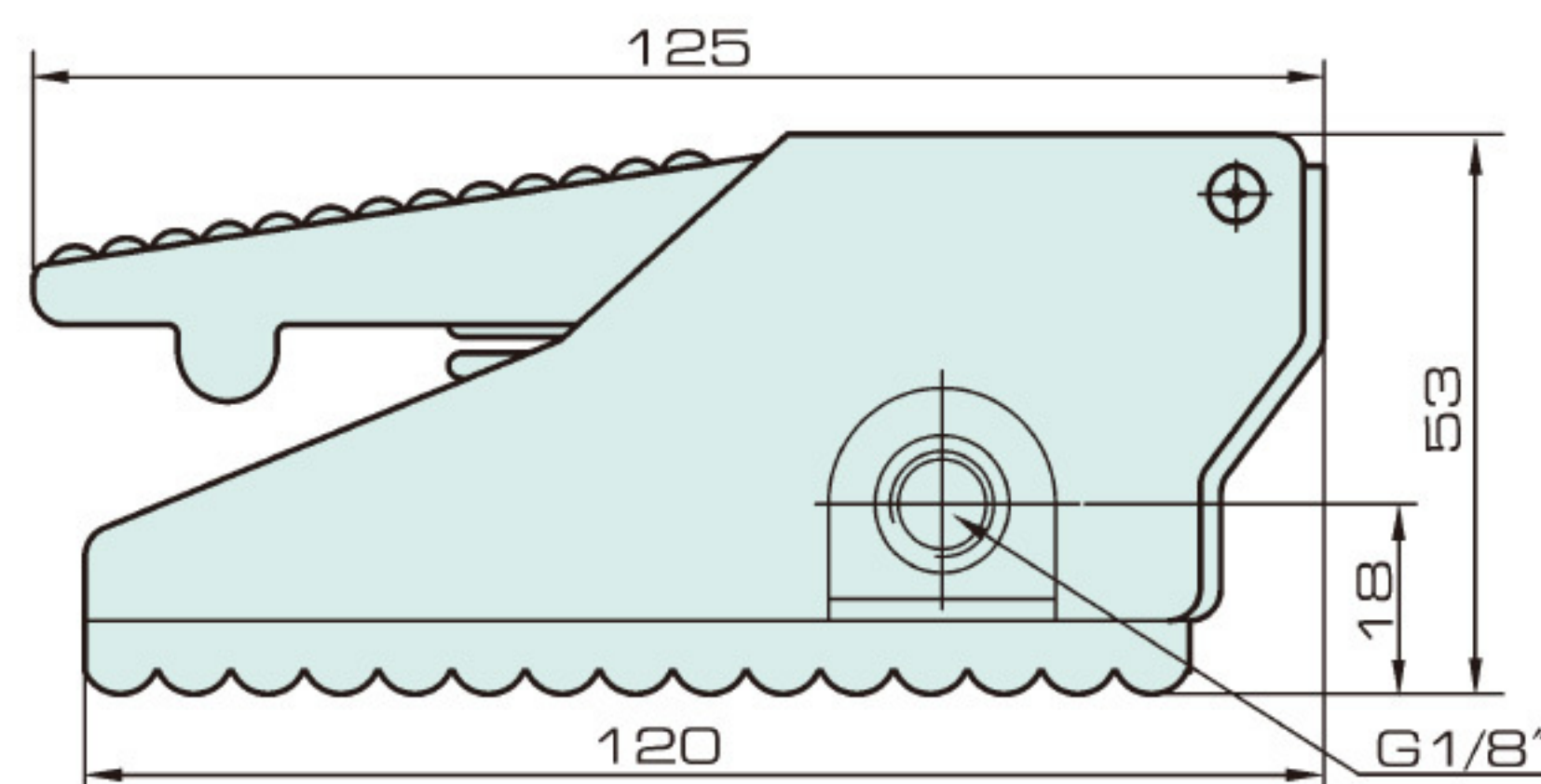
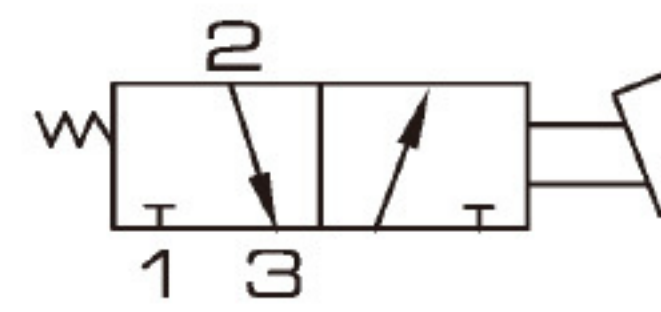
FV420



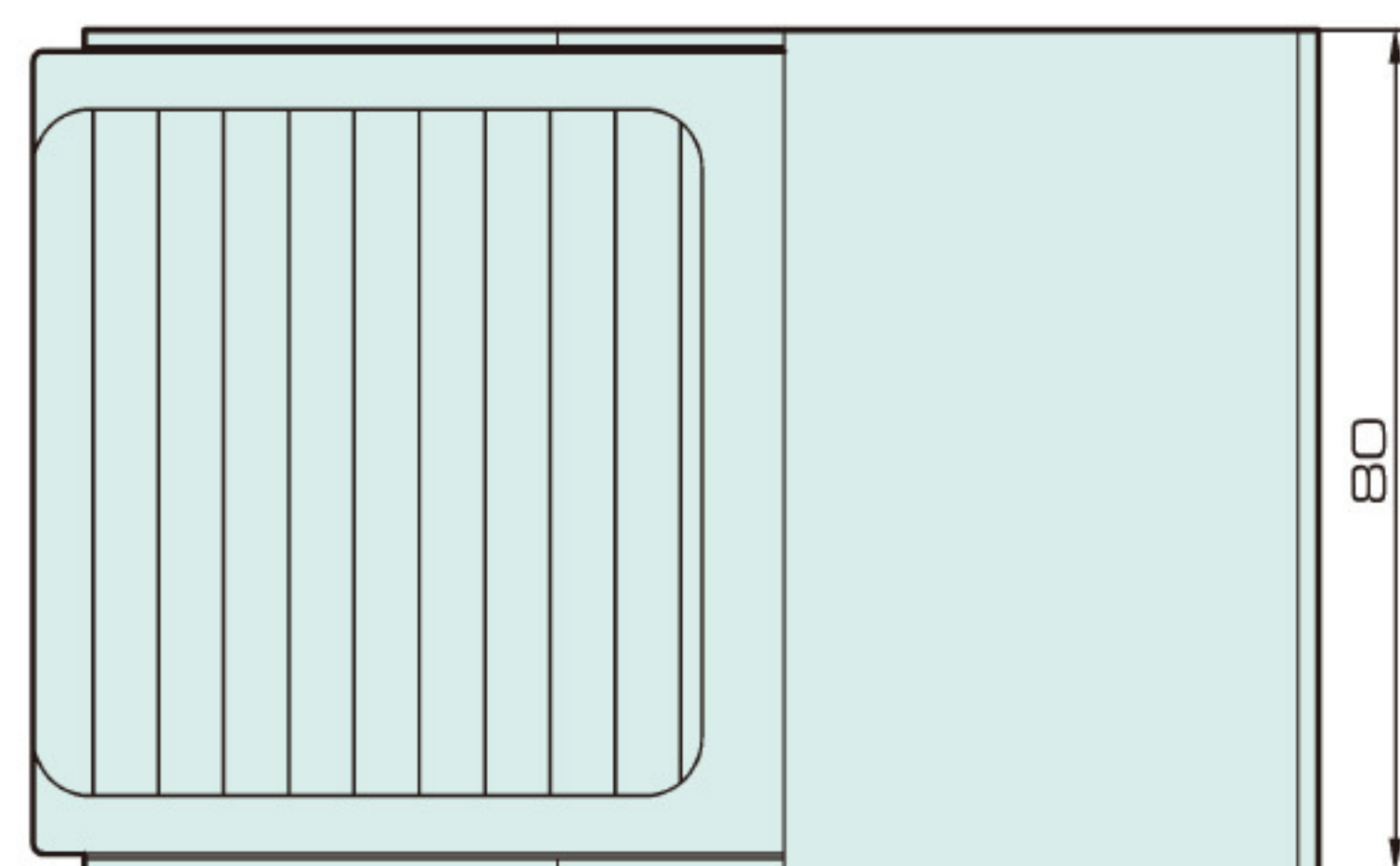
K direct



FV320



K direct



Valve

- J4V
- J4V100
- J4V200
- J4V300
- J4V400
- 5V
- Manifold
- JSY
- 5JV
- MCS
- JVT307
- JEL
- MVSD
- VF
- BM
- NAMUR
- 551
- JEL10
- 3VJZF
- Diaphragm
- JELVD
- 3V1
- Coil
- 2P
- 2V
- 2W
- 2W(Big)
- 2L
- VX
- PU
- PU225
- 2Q
- JEL5404
- JEL6213
- BU
- Pulse
- JELJZF
- 4H
- TSV
- MPV
- 4HV
- HV, K
- 4R
- 4F210
- FV**
- MSV
- JM
- ASC, RE
- QE, QEA
- ST
- HSV