

JSY Series

Solenoid Valve / Air piloted Valve



APPL: 201330366828.5

Features

1. Inner exhausting structure and no pollution.
2. Low power consumption of 1.2W.
3. Sliding structure and special to upgrade flow, life time, seal function and response.
4. Special treatment to look after inner hole for less friction, lower starting pressure and long life time.
5. Integrated installation to save space.



Ordering Code

JSY	15	0	06	DC24V	F
Specification	Series Code	Position	Port Size	Voltage	Joint
	15mm Series	0: Single coil 5/2 way 2: Double coil 5/2 way 3C: Double coil 5/3 way-closed 3E: Double coil 5/3 way-exhausted 3P: Double coil 5/3 way-pressed	06: 1/8"	DC24V	1F-20F

Specification

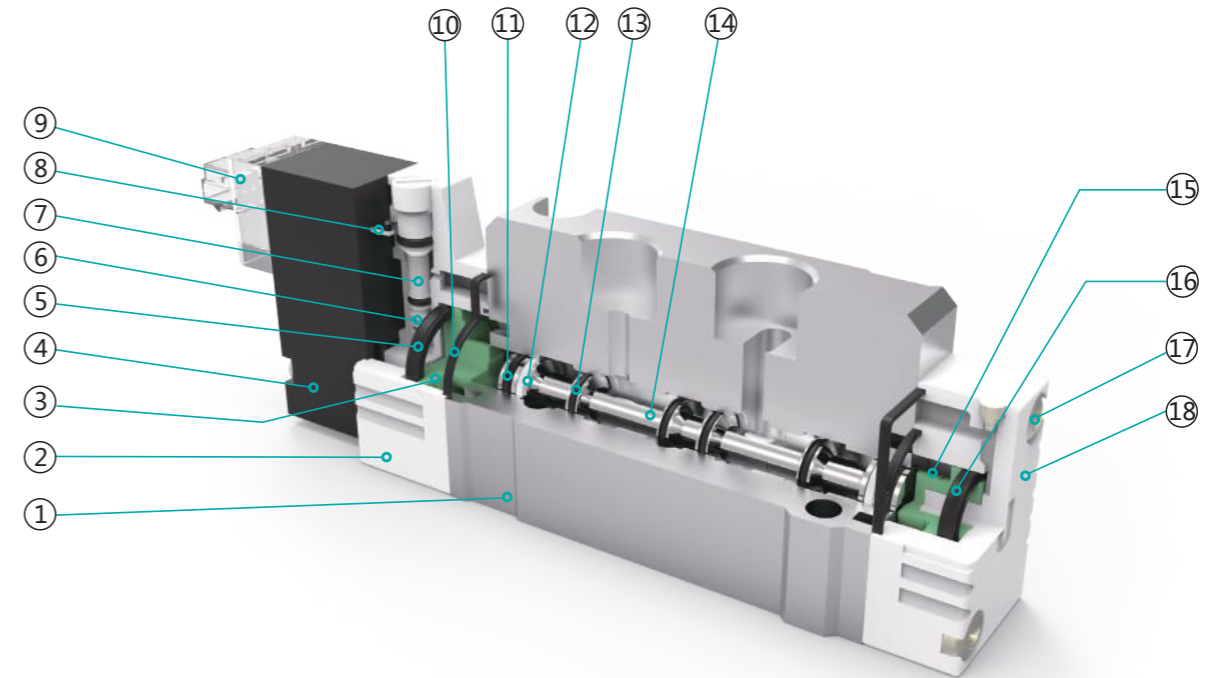
Valve type (mm)	JSY150-06	JSY152-06	JSY153C-06	JSY153P-06	JSY153E-06
Valve type	5/2 way		5/3 way		
Effective cross section area	8.3mm ² (CV = 0.49)		7.2mm ² (CV = 0.42)		
Port size	Inlet=Outlet=Exhaust=G1/8"				
Working medium	40 Micron filtered air				
Working pressure	0.15 ~ 0.7MPa	0.1 ~ 0.7MPa	0.15 ~ 0.7MPa		
Max pressure	1MPa				
Working temperature	0 ~ 50°C				
Power consumption	1.2W				
Switching frequency	5 Cycles/sec				

ISO9001:2015 CE

JSY Series

Solenoid Valve / Air piloted Valve

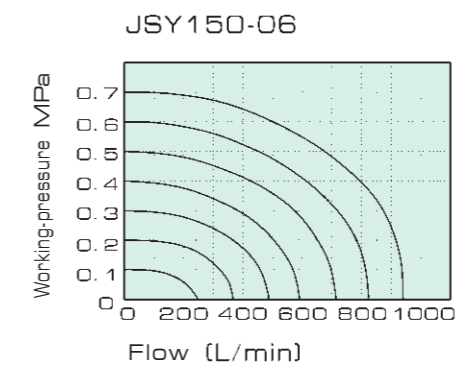
Internal Structure



Parts

Number	Name	Number	Name	Number	Name
1	Valve body	7	Manual ride spindle	13	Flat ring
2	Pilot seat	8	Plug unit	14	Valve spool
3	Pilot piston	9	Armature	15	Reset piston
4	Cross slot pan screw	10	Dysmorphism seal	16	Reset piston Y plug
5	Piston Y ring	11	Valve spool Y ring	17	Cross slot pan screw
6	Spring	12	Anti-friction seal	18	Back cover

Flow Chart



Valve
J4V
J4V100
J4V200
J4V300
J4V400
5V
Manifold
JSY
5JV
MCS
JVT307
JEL
MVSD
VF
BM
NAMUR
551
JEL10
3VJZF
Diaphragm
JELVD
3V1
Coil
2P
2V
2W
2W(Big)
2L
VX
PU
PU225
2Q
JEL5404
JEL6213
BU
Pulse
JELJZF
4H
TSV
MPV
4HV
HV, K
4R
4F210
FV
MSV
JM
ASC, RE
QE, QEA
ST
HSV

Valve
J4V
J4V100
J4V200
J4V300
J4V400
5V
Manifold
JSY
5JV
MCS
JVT307
JEL
MVSD
VF
BM
NAMUR
551
JEL10
3VJZF
Diaphragm
JELVD
3V1
Coil
2P
2V
2W
2W(Big)
2L
VX
PU
PU225
2Q
JEL5404
JEL6213
BU
Pulse
JELJZF
4H
TSV
MPV
4HV
HV, K
4R
4F210
FV
MSV
JM
ASC, RE
QE, QEA
ST
HSV

Overall Dimension

Valve

J4V
J4V100
J4V200
J4V300
J4V400
5V

Manifold

JSY
5JV
MCS
JVT307
JEL
MVSD
VF

BM

NAMUR

551

JEL10

3VJZF

Diaphragm

JELVD

3V1

Coil

2P

2V

2W

2W(Big)

2L

VX

PU

PU225

2Q

JEL5404

JEL6213

BU

Pulse

JELJZF

4H

TSV

MPV

4HV

HV, K

4R

4F210

FV

MSV

JM

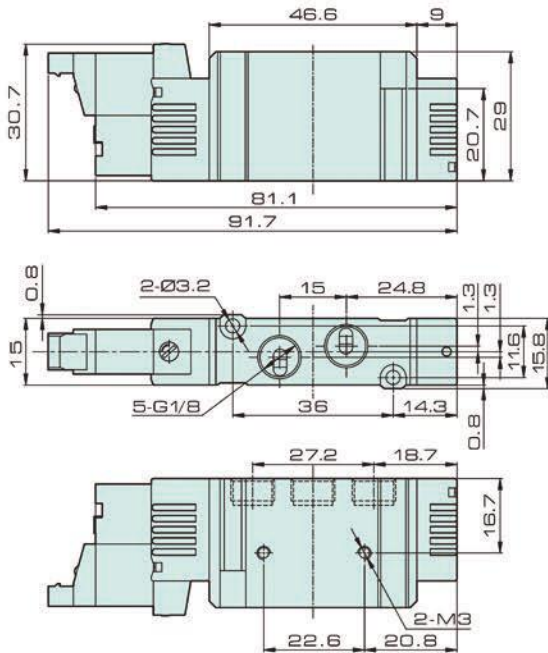
ASC, RE

QE, QEA

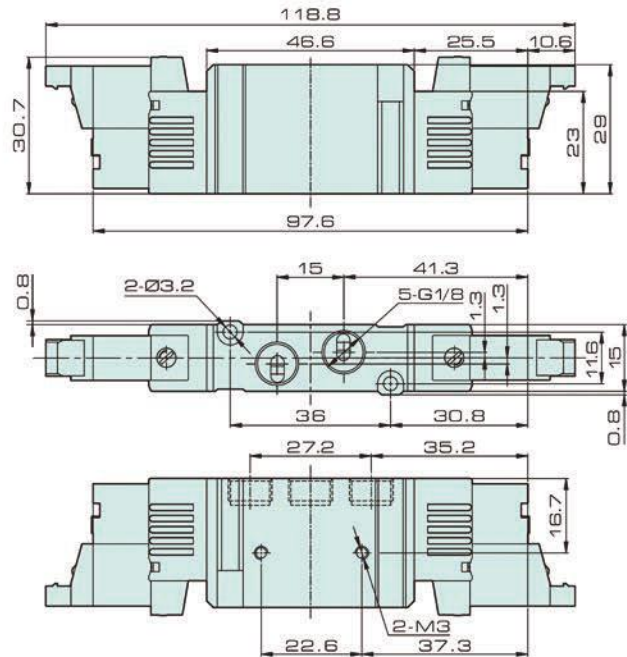
ST

HSV

JSY150



JSY152



JSY153

