

PU Series Solenoid Valve (For Steam)



Valve

J4V

J4V100

J4V200

J4V300

J4V400

5V

Manifold

JSY

5JV

MCS

JVT307

JEL

MVSD

VF

BM

NAMUR

551

JEL10

3VJZF

Diaphragm

JELVD

3V1

Coil

2P

2V

2W

2W(Big)

2L

VX

PU

PU225

2Q

JEL5404

JEL6213

BU

Pulse

JELJZF

4H

TSV

MPV

4HV

HV, K

4R

4F210

FV

MSV

JM

ASC, RE

QE, QEA

ST

HSV



PU225-04S-J

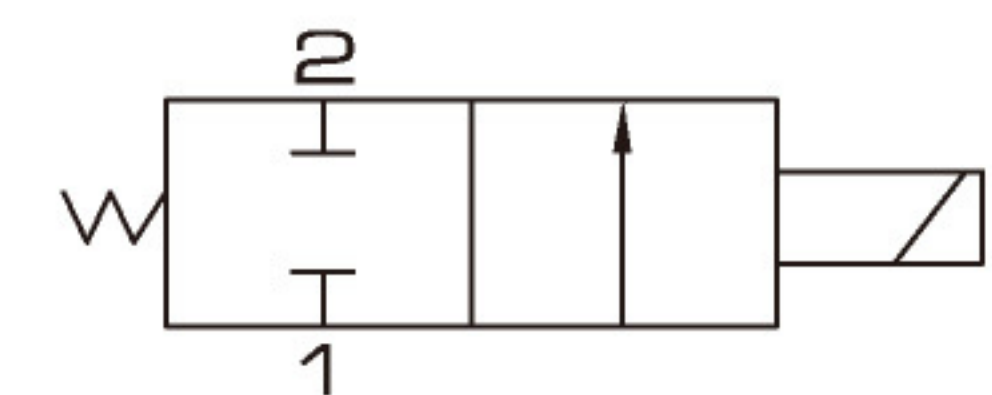


PU225-04S-J

Ordering Code

PU	225	03	S	AC220V	J
Specification	Operation	Port Size	Fix Form	Standard Voltage	Wiring
PU: 2/2 way	225: Internal pilot	03: 3/8" 04: 1/2" 06: 3/4" 08: 1"	S: Steam	AC220V AC110V DC12V DC24V	J: Terminal W: Lead wire

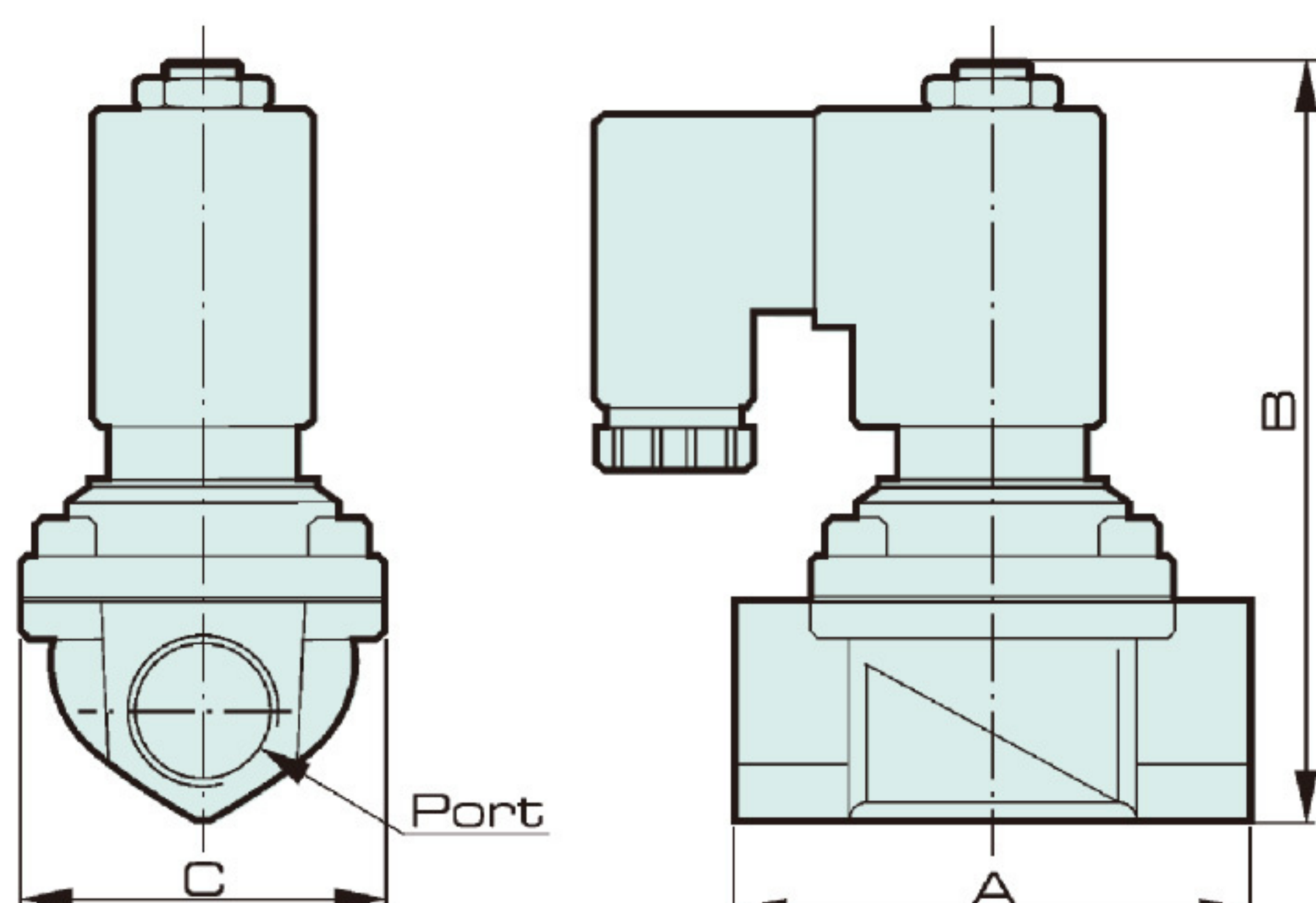
Symbol



Specification

Model	PU225-03S	PU225-04S	PU225-06S	PU225-08S
Working Medium	Air, Water, Oil, Gas			
Operation	Internal Piloted			
Type	Normal Close			
Orifice	13mm	13mm	25mm	25mm
CV Value	4.50	4.50	12.00	12.00
Port Size	3/8"	1/2"	3/4"	1"
Operation Fluid Viscosity	50 CST			
Working-pressure	0.05 ~ 1.0 MPa			
Max. Test Pressure	1.5 MPa			
Ambient Temperature	-10 ~ 185 °C			

Overall Dimension



Dimension

Model	Bore	A	B	C
PU225-03S	PT3/8"	66.5	122.7	48.0
PU225-04S	PT1/2"	66.5	122.7	48.0
PU225-06S	PT3/4"	100.0	152.0	70.0
PU225-08S	PT1"	100.0	152.0	70.0