

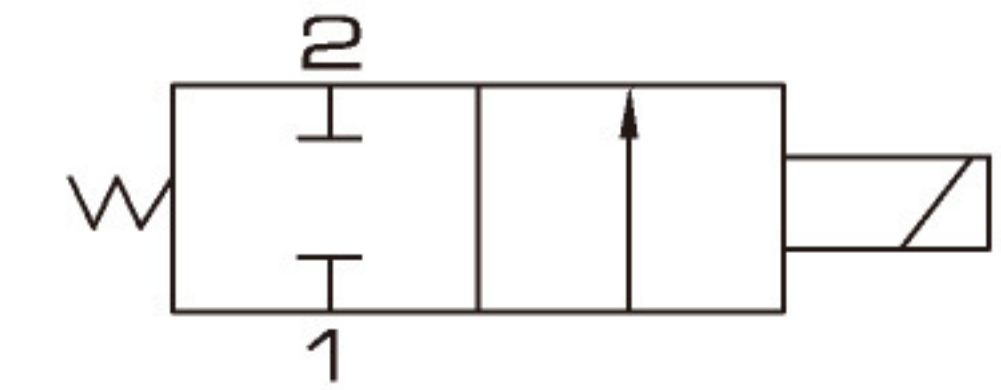
Valve

- J4V
- J4V100
- J4V200
- J4V300
- J4V400
- 5V
- Manifold
- JSY
- 5JV
- MCS
- JVT307
- JEL
- MVSD
- VF
- BM
- NAMUR
- 551
- JEL10
- 3VJZF
- Diaphragm
- JELVD
- 3V1
- Coil
- 2P
- 2V
- 2W
- 2W(Big)
- 2L
- VX
- PU**
- PU225
- 2Q
- JEL5404
- JEL6213
- BU
- Pulse
- JELJZF
- 4H
- TSV
- MPV
- 4HV
- HV, K
- 4R
- 4F210
- FV
- MSV
- JM
- ASC, RE
- QE, QEA
- ST
- HSV

### Ordering Code

<b>PU</b>	<b>220</b>	<b>01</b>	<b>AC110V</b>	<b>E</b>	<b>J</b>
Specification	Operation	Port Size	Standard Voltage	Sealing	Wiring
PU 2/2 Way	220: Direct	01: 1/8"	DC12V DC24V	Blank: NBR	J: Terminal
		02: 1/4"	AC24V 50Hz/60Hz	E: EPDM for steam	W: Lead wire
		03: 3/8"	AC110V 50Hz/60Hz	V: VITON (for high temperature, gas, vacuum)	
		04: 1/2"	AC220V 50Hz/60Hz		
		06: 3/4"	AC380V 50Hz/60Hz		
		08: 1"			

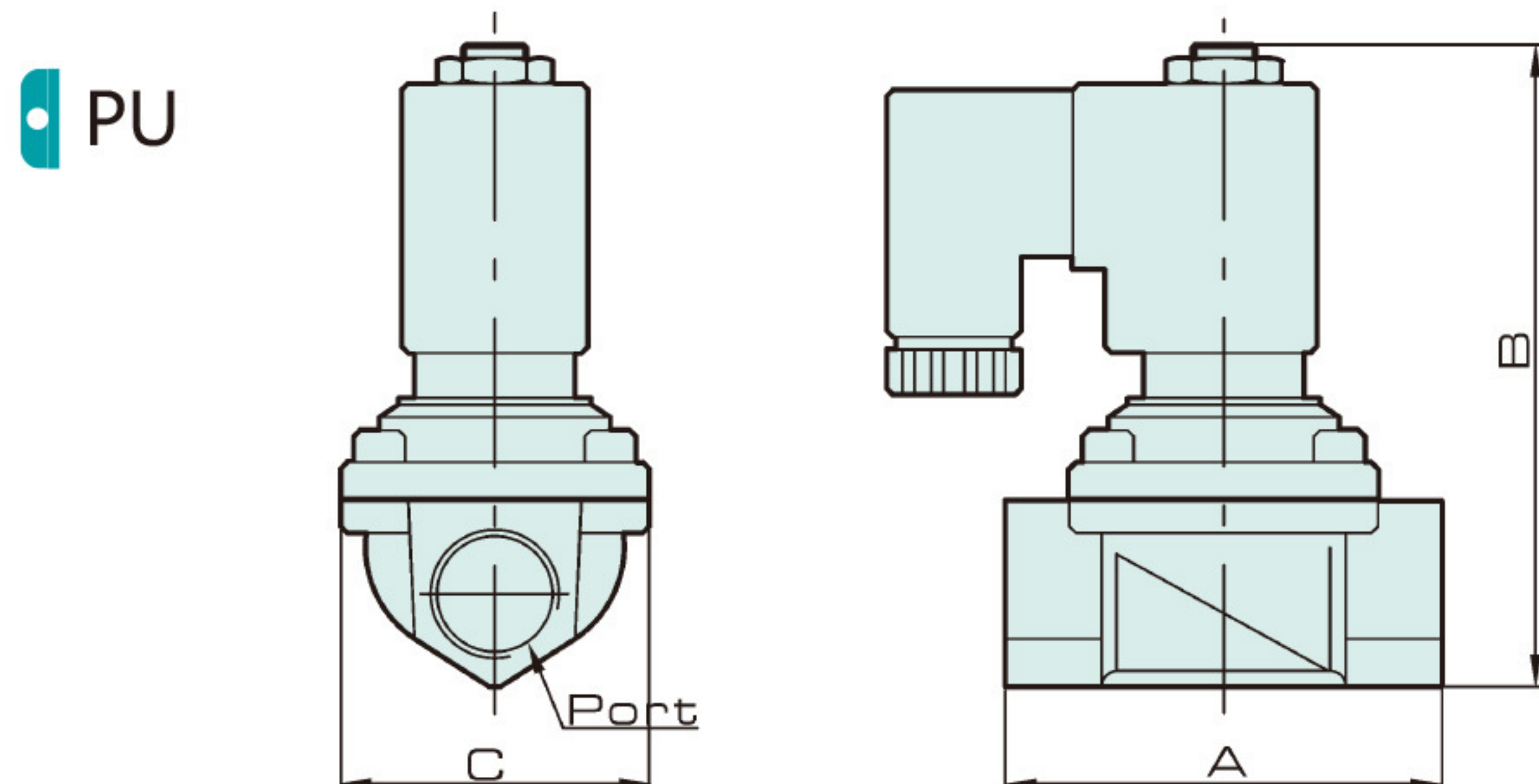
### Symbol



### Specification

Model	PU220-01	PU220-02	PU220-03	PU220-04	PU220-06	PU220-08
Working Medium	Air, Water, Oil					
Operation	Direct					
Type	Normal Close					
Orifice	1.5mm	2.3mm	8.0mm	13mm	20mm	25mm
CV Value	0.10	0.18	1.00	4.00	8.60	11.00
Port Size	1/8"	1/4"	3/8"	1/2"	3/4"	1"
Operation Fluid Viscosity	Below 50 CST					
Working-pressure	0 ~ 0.7 MPa					
Max. Test Pressure	1.05 MPa					
Max. Ambient Temperature	-10 ~ 80 °C					

### Overall Dimension



### Dimension

Model	Bore	A	B	C
PU220-01	PT1/8	22	72	22
PU220-02	PT1/4	35	75.5	25.4
PU220-03	PT3/8	55	79.5	30
PU220-04	PT1/2	66.5	101	48
PU220-06	PT3/4	71	107	48
PU220-08	PT1	96	120	70