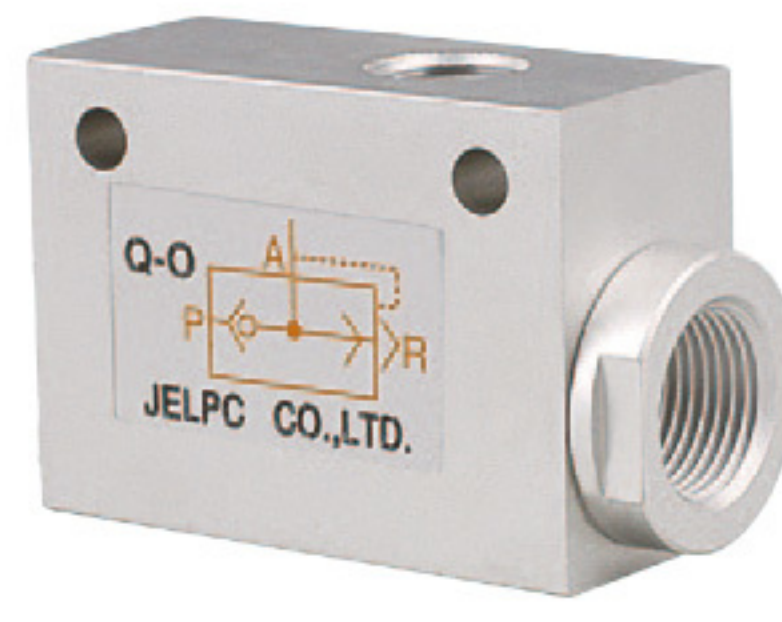
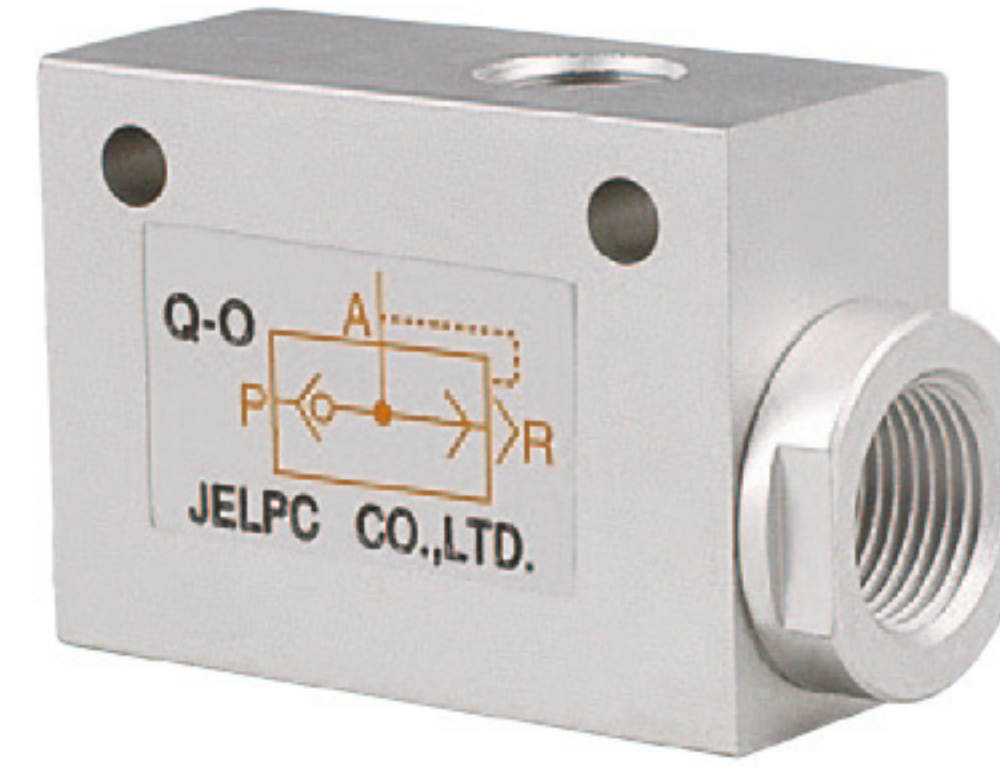




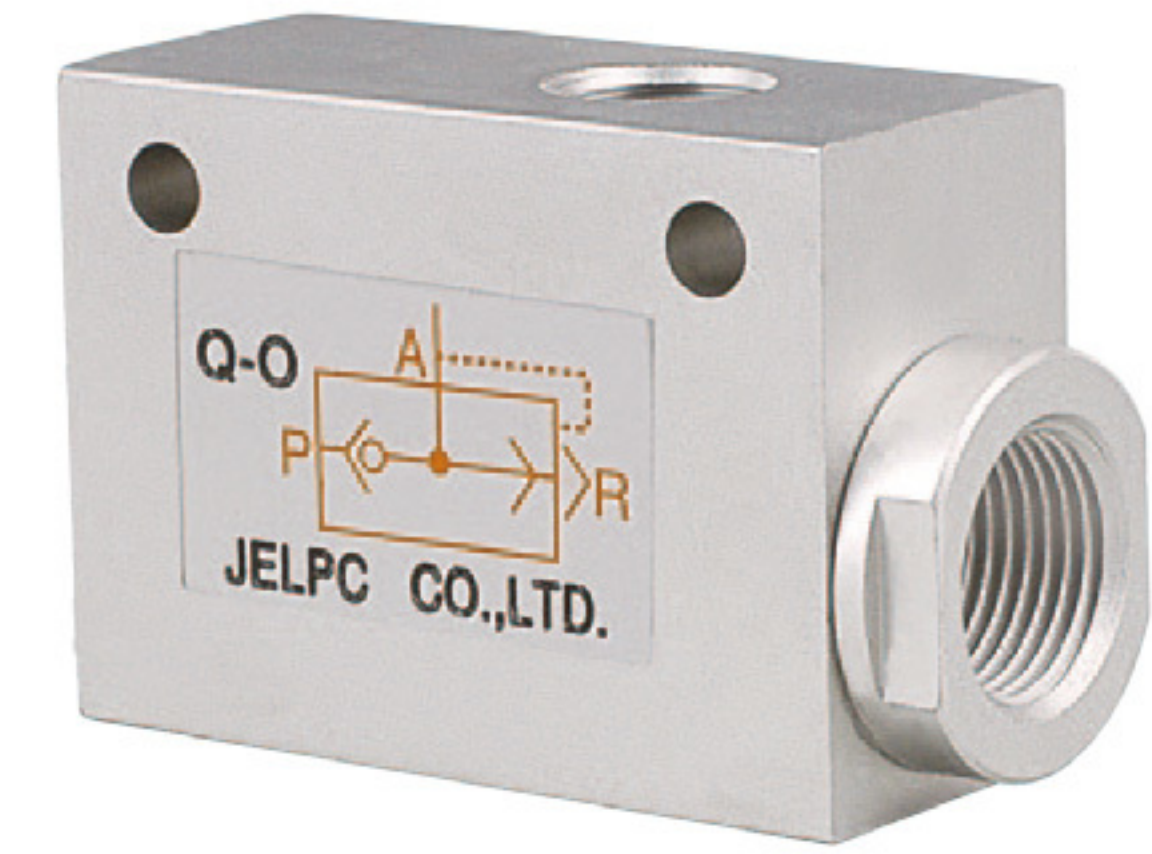
QEA-01



QE-01



QE-02

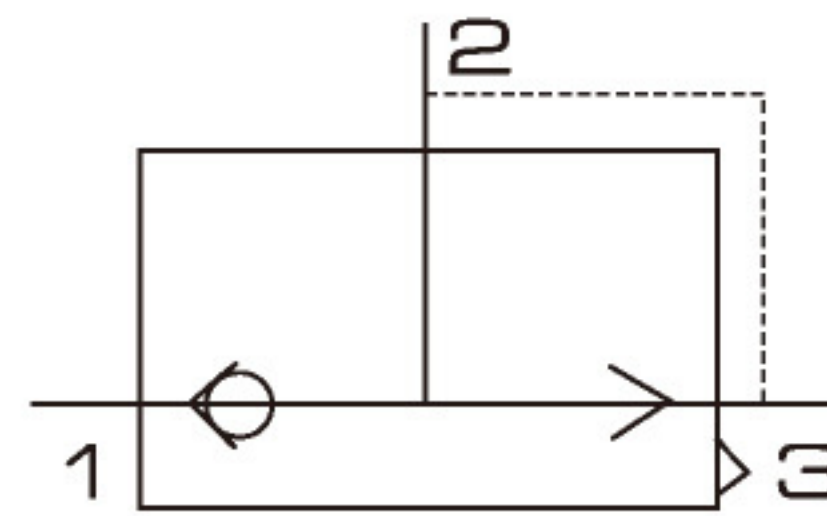


QE-03

Ordering Code

QE	01
Series Code	Port Size
QE: Quick Exhaust Valve	01: G1/8"
QEA: Quick Exhaust Valve	02: G1/4"
	03: G3/8"
	04: G1/2"
	06: G3/4"

Symbol

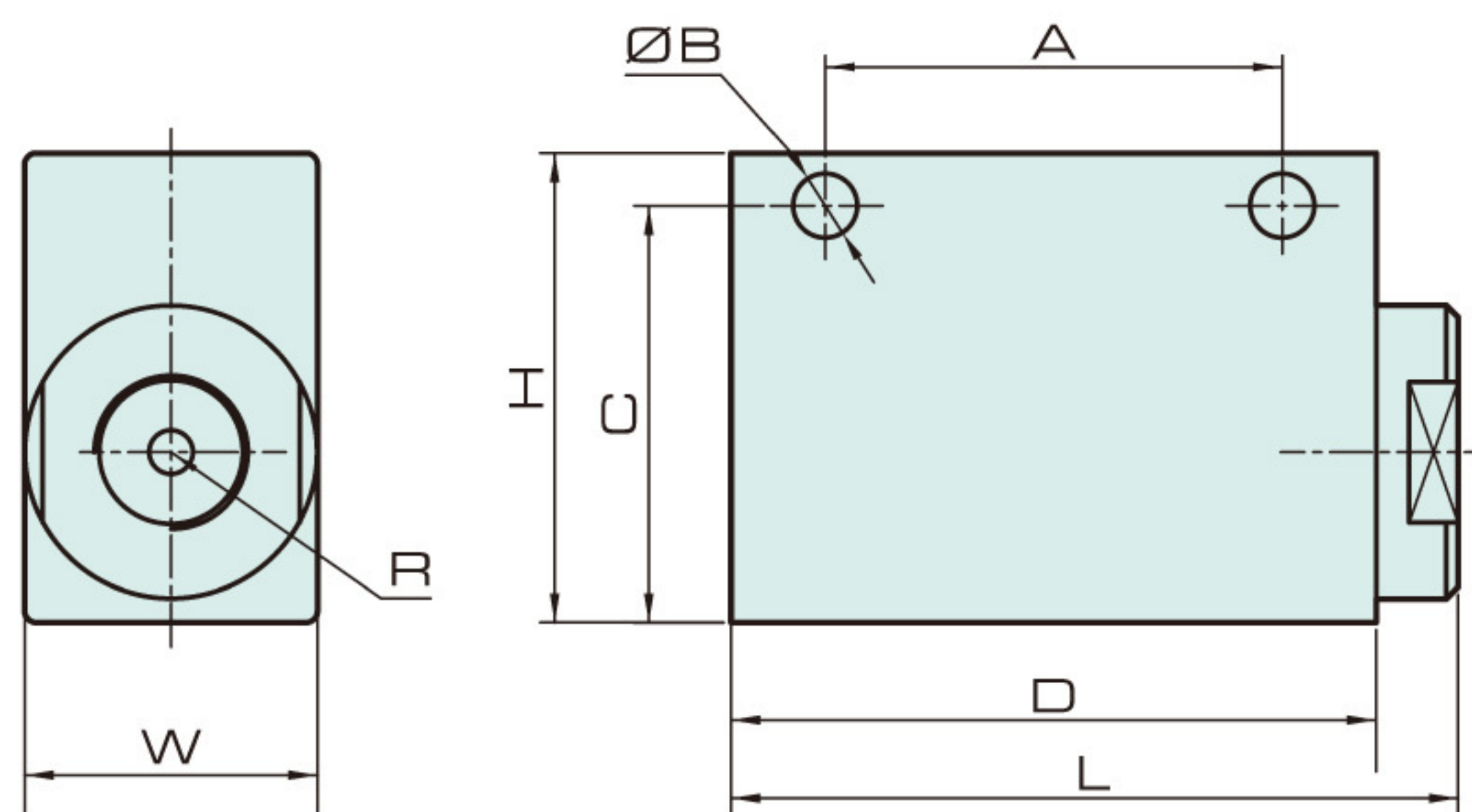


Specification

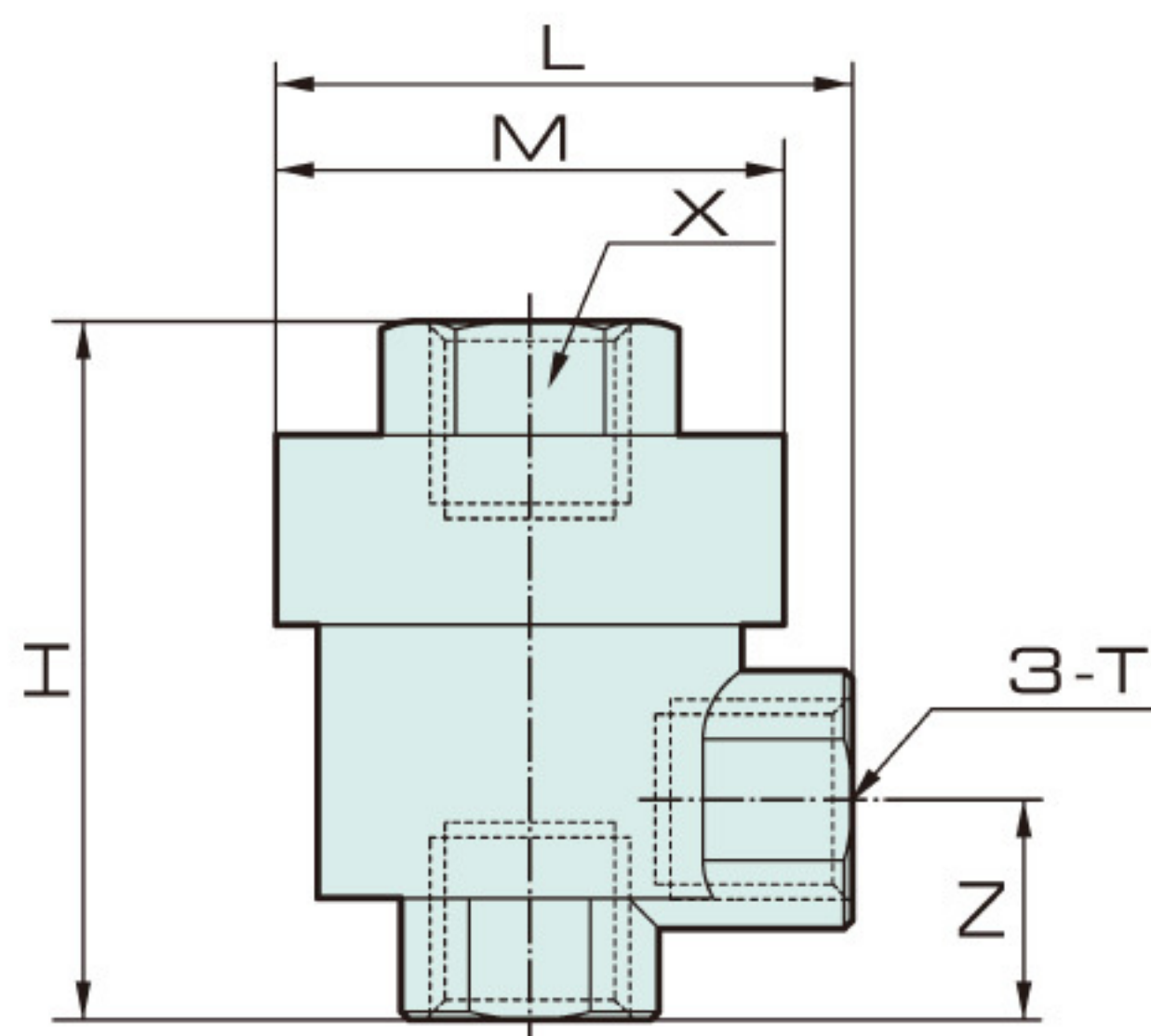
Model	QE-01	QE-02	QE-03	QE-04	QE-06
Port Size	G1/8"	G1/4"	G3/8"	G1/2"	G3/4"
Effective Cross Section Area	16 mm ²	27.5 mm ²	28 mm ²	71 mm ²	72.5 mm ²
Working Medium	Air				
Working Pressure	0 ~ 1.0MPa				
Ambient Temperature	-20 ~ 70°C				

Overall Dimension

QE Series



QEA Series



Dimension

Model/Symbol	R	Bore	L	W	H	A	B	C	D
QE-01	G1/8	G1/4	46	20	32	30	4.3	27	40
QE-02	G1/4	G3/8	61	25	40	39	5.5	33	55
QE-03	G3/8	G3/8	61	25	40	39	5.5	33	55
QE-04	G1/2	G3/8	52.5	28	36	-	-	-	48
QE-06	G3/4	G3/4	98	38	64	60	8.5	51	90

Model/Symbol	T	H	L	M	N	X
QEA-01	G1/8	40	32	28	12	14
QEA-02	G1/4	45	38	33.5	14	17
QEA-03	G3/8	55.5	47	39	15.5	22
QEA-04	G1/2	62	55	43	22	24
QEA-06	G3/4	91	66	53	35	34

Valve

- J4V
- J4V100
- J4V200
- J4V300
- J4V400
- 5V
- Manifold
- JSY
- 5JV
- MCS
- JVT307
- JEL
- MVSD
- VF
- BM
- NAMUR
- 551
- JEL10
- 3VJZF
- Diaphragm
- JELVD
- 3V1
- Coil
- 2P
- 2V
- 2W
- 2W(Big)
- 2L
- VX
- PU
- PU225
- 2Q
- JEL5404
- JEL6213
- BU
- Pulse
- JELJZF
- 4H
- TSV
- MPV
- 4HV
- HV, K
- 4R
- 4F210
- FV
- MSV
- JM
- ASC, RE
- QE, QEA
- ST
- HSV