

# ST Series Shuttle Valve



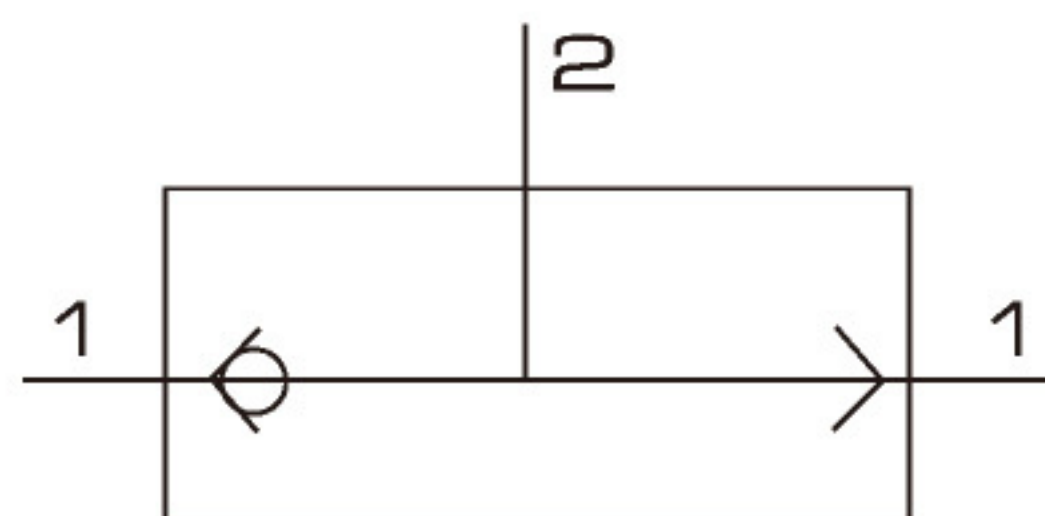
- Valve
- J4V
- J4V100
- J4V200
- J4V300
- J4V400
- 5V
- Manifold
- JSY
- 5JV
- MCS
- JVT307
- JEL
- MVSD
- VF
- BM
- NAMUR
- 551
- JEL10
- 3VJZF
- Diaphragm
- JELVD
- 3V1
- Coil
- 2P
- 2V
- 2W
- 2W(Big)
- 2L
- VX
- PU
- PU225
- 2Q
- JEL5404
- JEL6213
- BU
- Pulse
- JELJZF
- 4H
- TSV
- MPV
- 4HV
- HV, K
- 4R
- 4F210
- FV
- MSV
- JM
- ASC, RE
- QE, QEA
- ST**
- HSV



## Ordering Code

Series Code	Port Size
ST : Shuttle Valve	01: G1/8"
	02: G1/4"
	03: G3/8"
	04: G1/2"
	06: G3/4"
	08: G1"

## Symbol

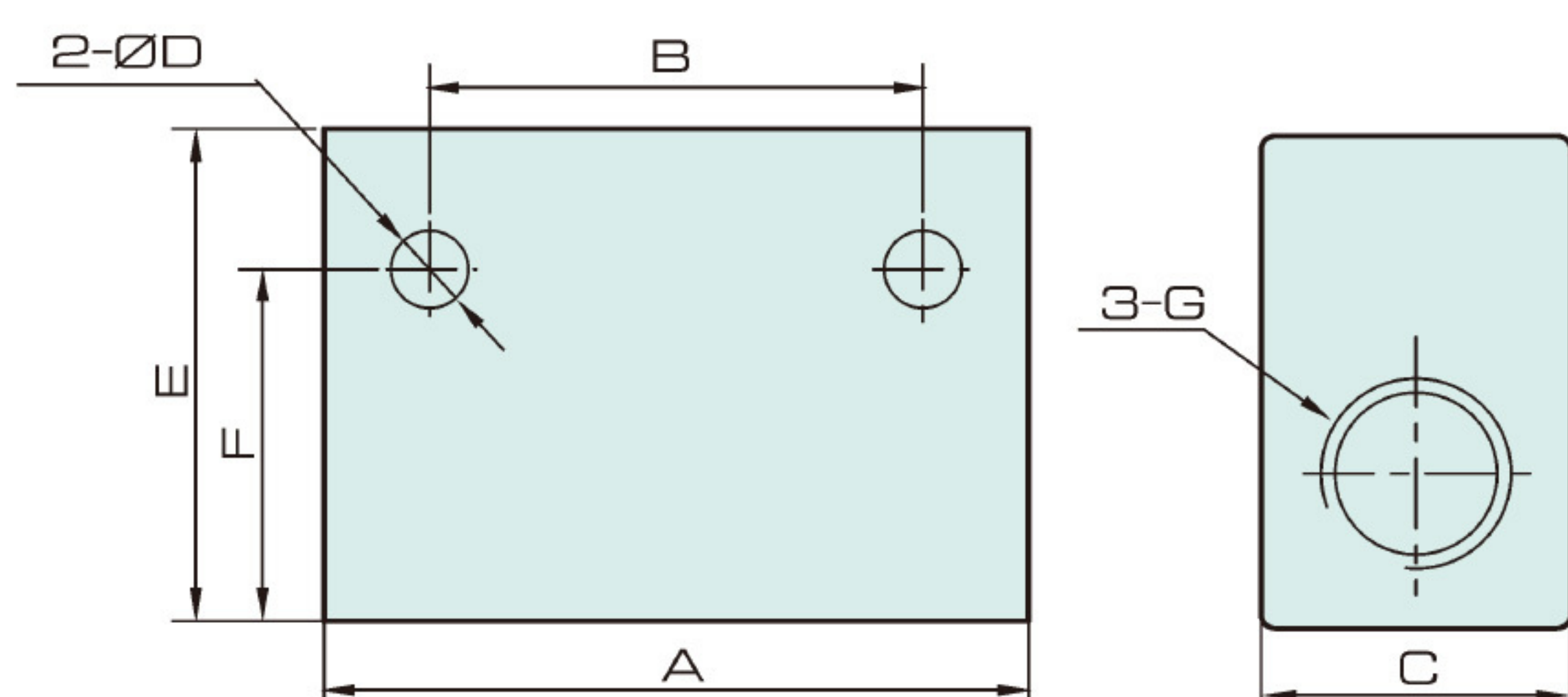


## Specification

Model	ST-01	ST-02	ST-03	ST-04	ST-06	ST-08
Working Medium	Air					
Effective Cross Section Area	G1/8"	G1/4"	G3/8"	G1/2"	G3/4"	G1"
Port Size	7.5 mm <sup>2</sup>	21 mm <sup>2</sup>	40 mm <sup>2</sup>	60 mm <sup>2</sup>	110 mm <sup>2</sup>	190 mm <sup>2</sup>
Working Pressure	0 ~ 1.0MPa					
Ambient Temperature	-20 ~ 70°C					

## Overall Dimension

### ST Series



## Dimension

Model Symbol	A	B	C	D	E	F	G
ST-01	40	24	16	4.5	25	20.5	G1/8"
ST-02	50	35	22	5.5	35	25	G1/4"
ST-03	75	48	30	7	50	42	G3/8"
ST-04	75	48	30	7	50	42	G1/2"
ST-06	110	72	40	7	70	58	G3/4"
ST-08	110	72	40	7	70	58	G1"