

TSV Series Hand Pull Valve



- Valve
- J4V
- J4V100
- J4V200
- J4V300
- J4V400
- 5V
- Manifold
- JSY
- 5JV
- MCS
- JVT307
- JEL
- MVSD
- VF
- BM
- NAMUR
- 551
- JEL10
- 3VJZF
- Diaphragm
- JELVD
- 3V1
- Coil
- 2P
- 2V
- 2W
- 2W(Big)
- 2L
- VX
- PU
- PU225
- 2Q
- JEL5404
- JEL6213
- BU
- Pulse
- JELJZF
- 4H
- TSV**
- MPV
- 4HV
- HV, K
- 4R
- 4F210
- FV
- MSV
- JM
- ASC, RE
- QE, QEA
- ST
- HSV



TSV98322-M



TSV86522-M

Ordering Code

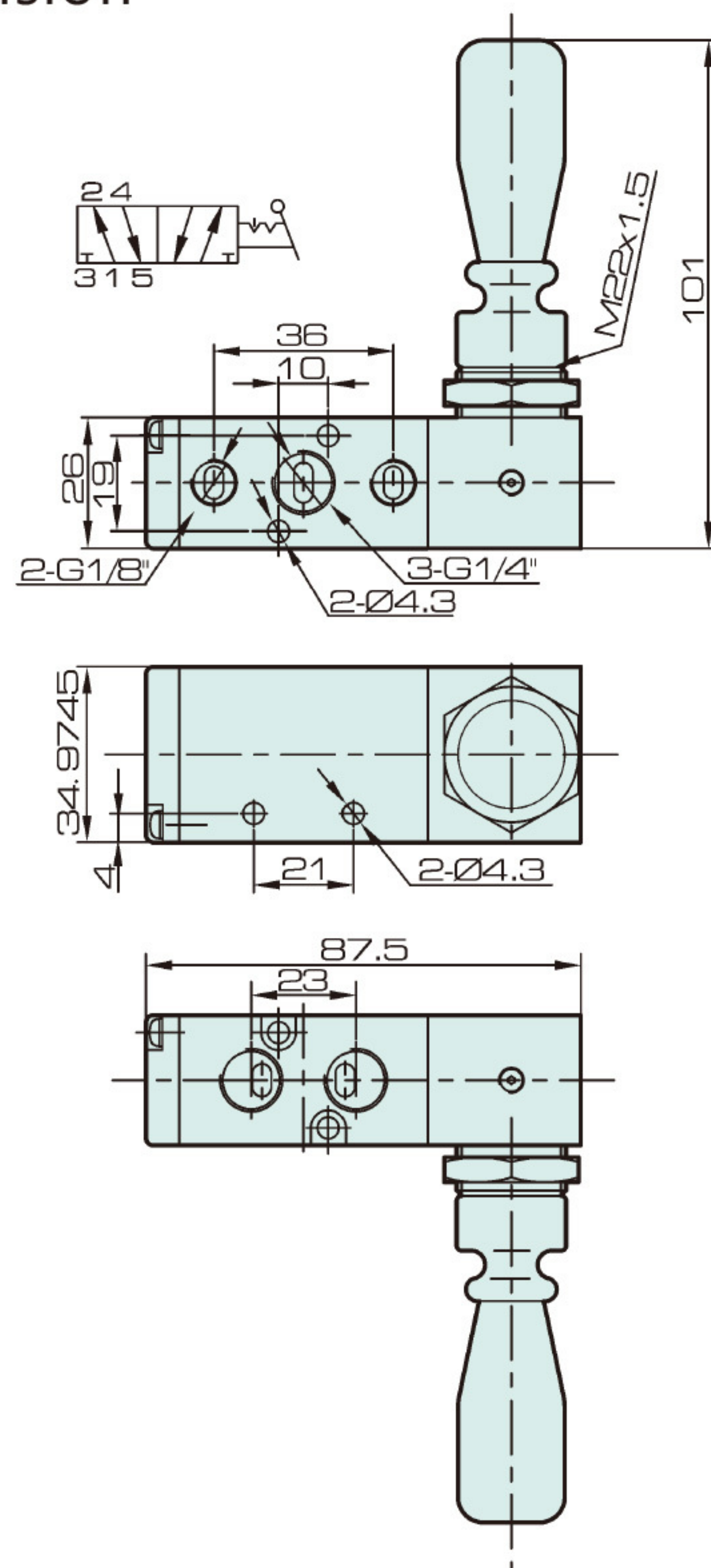
TSV86	52	2	M
Specification	Position Number	Port Size	Code
TSV86	52: 5/2 way	1: G1/8"	M: Mechanical Lock
TSV98	32: 3/2 way	2: G1/4"	S: Spring Rebound

Specification

Model	TSV86522 ^M _S	TSV98322 ^M _S
Working Medium	40 Micron Filtered Air	
Operation	Direct	
Effective Cross Section Area	18mm ²	
Port Size	G1/4"	
Working Pressure	0 ~ 0.8MPa	
Working Temperature	-20 ~ 70°C	

Overall Dimension

TSV86522



TSV98322

