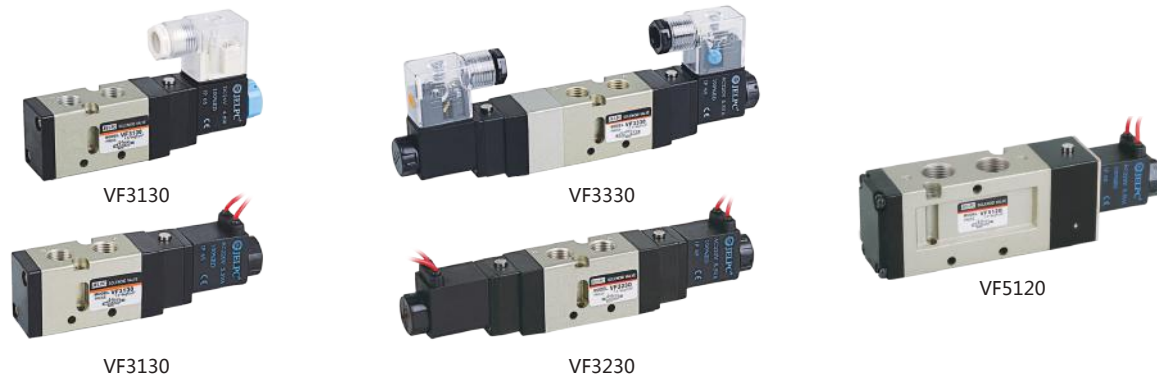


VF Series Solenoid Valve



Ordering Code

VF3	1	30	AC110V	W	F
Series	Coil and Initial Status	Ordering Number	Standard Voltage	Wiring	Joint
VF3 Series	1: Single coil	VF3: 30	DC12V DC24V	LD: Brown with light terminal	1F-20F
VF5 Series	2: Double coil 3: Mid-position Closed 4: Mid-position Pressed 5: Mid-position Exhausted	VF5: 20	AC24V 50Hz/60Hz AC110V 50Hz/60Hz AC220V 50Hz/60Hz AC380V 50Hz/60Hz	LD1: White with light terminal W: Lead wire	

Specification

Model	VF3130	VF3230	VF33(4/5)30	VF5120	VF5220	VF53(4/5)50
Valve Type	5/2 way	5/3 way	5/3 way	5/2 way	5/3 way	5/3 way
Effective Cross Section Area	16 mm ² (CV = 0.89)	12mm ² (CV=0.67)	12mm ² (CV=0.67)	25 mm ² (CV = 1.40)	18 mm ² (CV=1.00)	18 mm ² (CV=1.00)
Working Medium	40 Micron Filtered Air					
Operation	Internal Piloted					
Working-pressure	0.15 ~ 0.8 MPa					
Max. Test Pressure	1.2 MPa					
Ambient Temperature	-20 ~ 70°C					
Operating Voltage Tolerance	± 10%					
Power Consumption	AC: 5.5 VA DC: 4.8 W					
Protect Class	F Class, IP 65					
Wiring / Connector	Cable / Lead Wire or DIN Connector					
Switching Frequency	5 Cycles / Sec.					
Response Time	0.05 Sec.					

Base Ordering Code

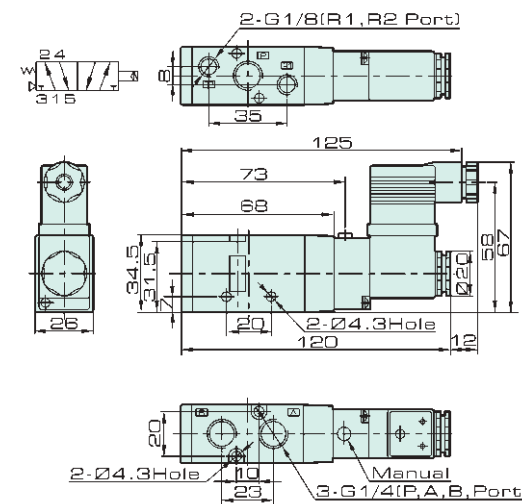
VF3000M	F
Series	Joint Base Number
VF3000M : VF3 Series	VF3000M : 1~20 F
VF5000M : VF5 Series	VF5000M : 1~20 F

ISO9001:2015 CE

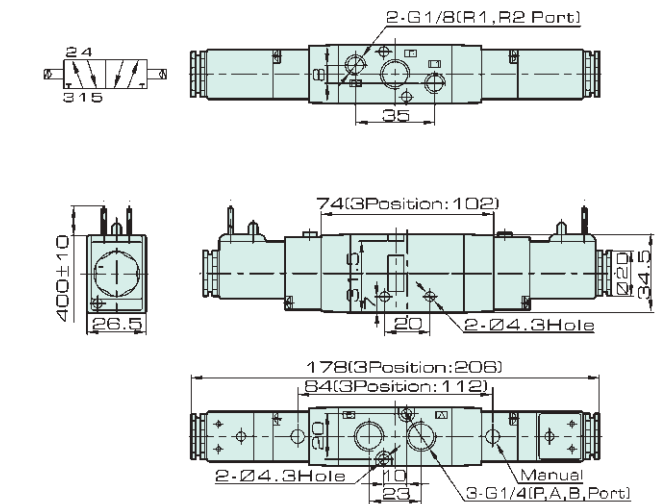
VF Series Solenoid Valve

Overall Dimension

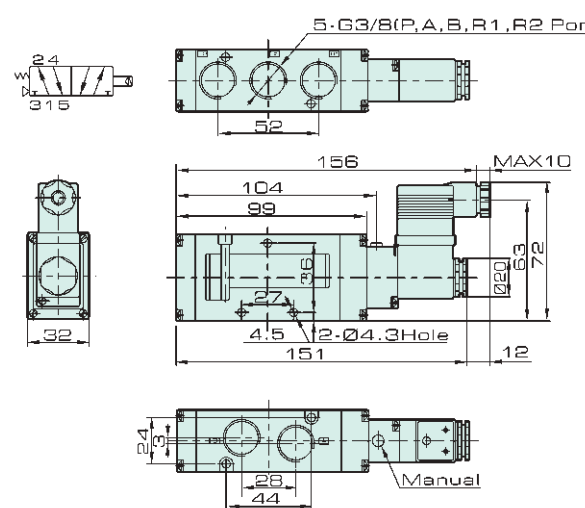
VF3130



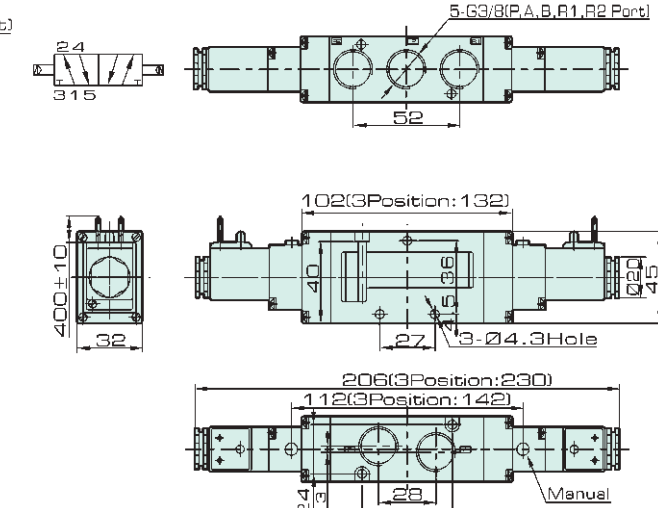
VF3230



VF5120



VF5220



Valve
J4V
J4V100
J4V200
J4V300
J4V400
5V
Manifold
JSY
5JV
MCS
JVT307
JEL
MVSD
VF
BM
NAMUR
551
JEL10
3VJZF
Diaphragm
JELVD
3V1
Coil
2P
2V
2W
2W(Big)
2L
VX
PU
PU225
2Q
JEL5404
JEL6213
BU
Pulse
JELJZF
4H
TSV
MPV
4HV
HV, K
4R
4F210
FV
MSV
JM
ASC, RE
QE, QEA
ST
HSV

Valve
J4V
J4V100
J4V200
J4V300
J4V400
5V
Manifold
JSY
5JV
MCS
JVT307
JEL
MVSD
VF
BM
NAMUR
551
JEL10
3VJZF
Diaphragm
JELVD
3V1
Coil
2P
2V
2W
2W(Big)
2L
VX
PU
PU225
2Q
JEL5404
JEL6213
BU
Pulse
JELJZF
4H
TSV
MPV
4HV
HV, K
4R
4F210
FV
MSV
JM
ASC, RE
QE, QEA
ST
HSV

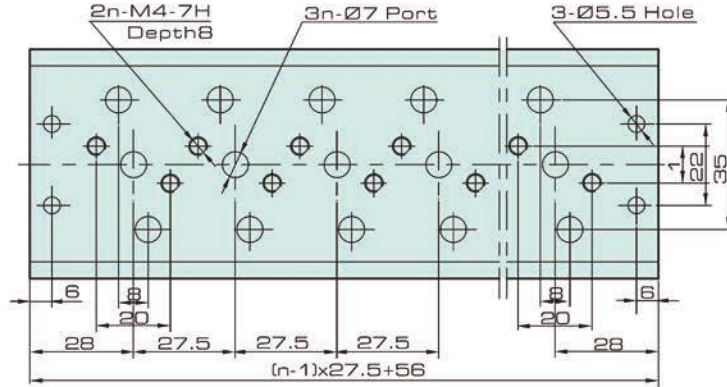
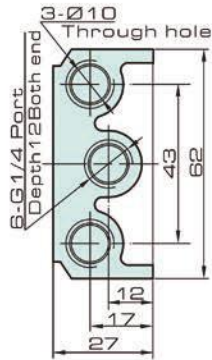
VF Series

Solenoid Valve

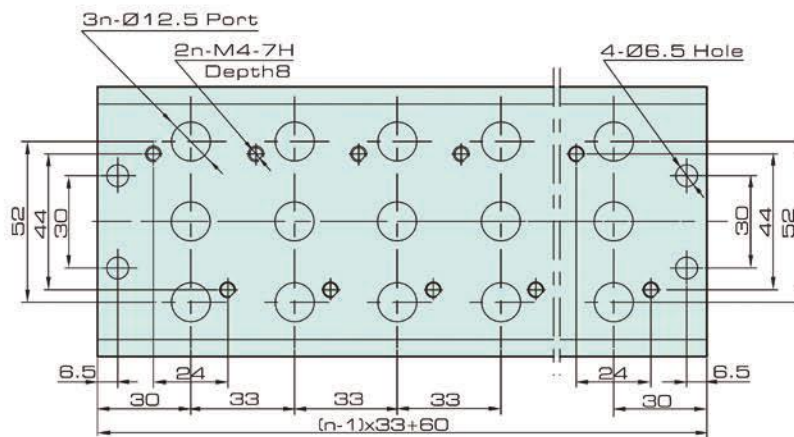
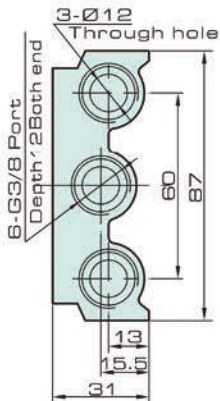


Overall Dimension

VF3000M



VF5000M



- Valve
- J4V
- J4V100
- J4V200
- J4V300
- J4V400
- 5V
- Manifold
- JSY
- 5JV
- MCS
- JVT307
- JEL
- MVSD
- VF**
- BM
- NAMUR
- 551
- JEL10
- 3VJZF
- Diaphragm
- JELVD
- 3V1
- Coil
- 2P
- 2V
- 2W
- 2W(Big)
- 2L
- VX
- PU
- PU225
- 2Q
- JEL5404
- JEL6213
- BU
- Pulse
- JELJZF
- 4H
- TSV
- MPV
- 4HV
- HV, K
- 4R
- 4F210
- FV
- MSV
- JM
- ASC, RE
- QE, QEA
- ST
- HSV