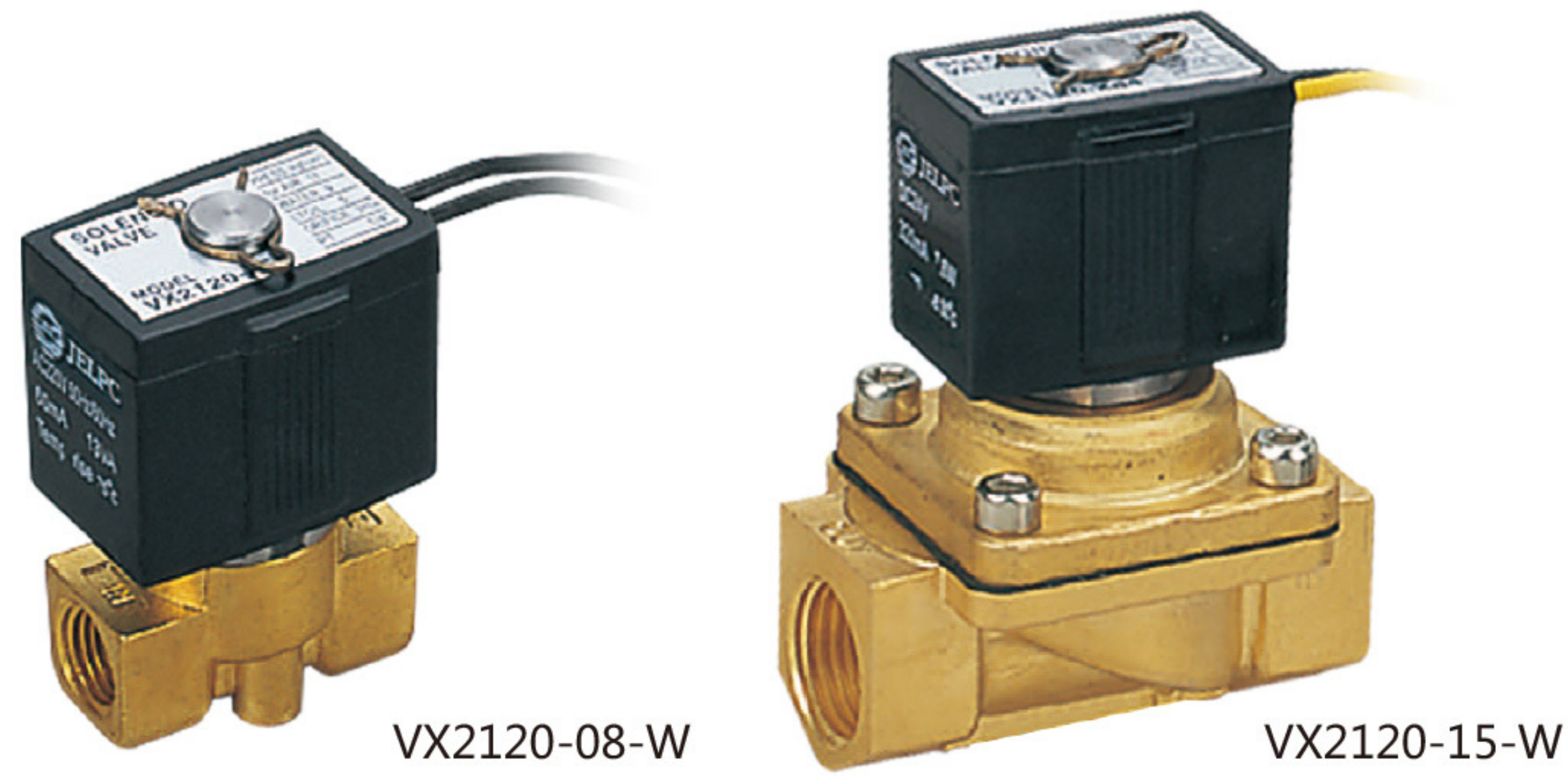


VX Series

2/2 Way Solenoid Valve (Direct Operated)



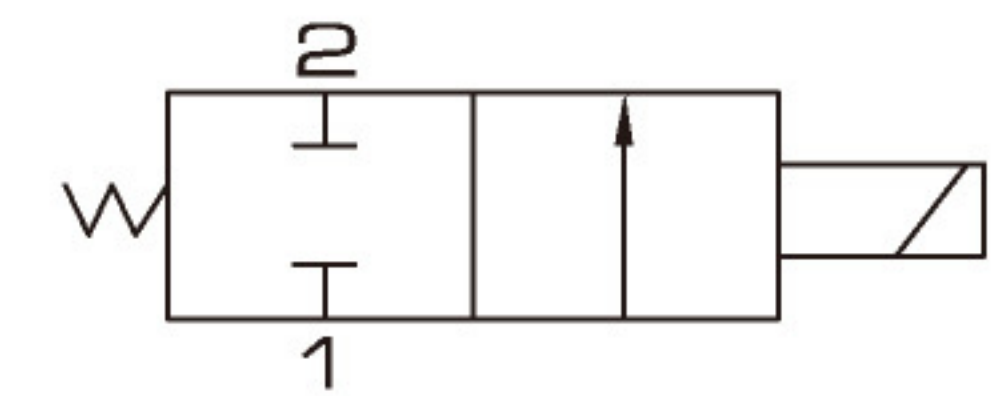
- Valve
- J4V
- J4V100
- J4V200
- J4V300
- J4V400
- 5V
- Manifold
- JSY
- 5JV
- MCS
- JVT307
- JEL
- MVSD
- VF
- BM
- NAMUR
- 551
- JEL10
- 3VJZF
- Diaphragm
- JELVD
- 3V1
- Coil
- 2P
- 2V
- 2W
- 2W(Big)
- 2L
- VX**
- PU
- PU225
- 2Q
- JEL5404
- JEL6213
- BU
- Pulse
- JELJZF
- 4H
- TSV
- MPV
- 4HV
- HV, K
- 4R
- 4F210
- FV
- MSV
- JM
- ASC, RE
- QE, QEA
- ST
- HSV



Ordering Code

VX2120	08	AC220V	J
Specification	Orifice Size	Standard Voltage	Wiring
	06: 1/8"	DC12V DC24V	J: Terminal
	08: 1/4"	AC24V 50Hz/60Hz	W: Lead wire
	10: 3/8"	AC110V 50Hz/60Hz	
	15: 1/2"	AC220V 50Hz/60Hz	
		AC380V 50Hz/60Hz	

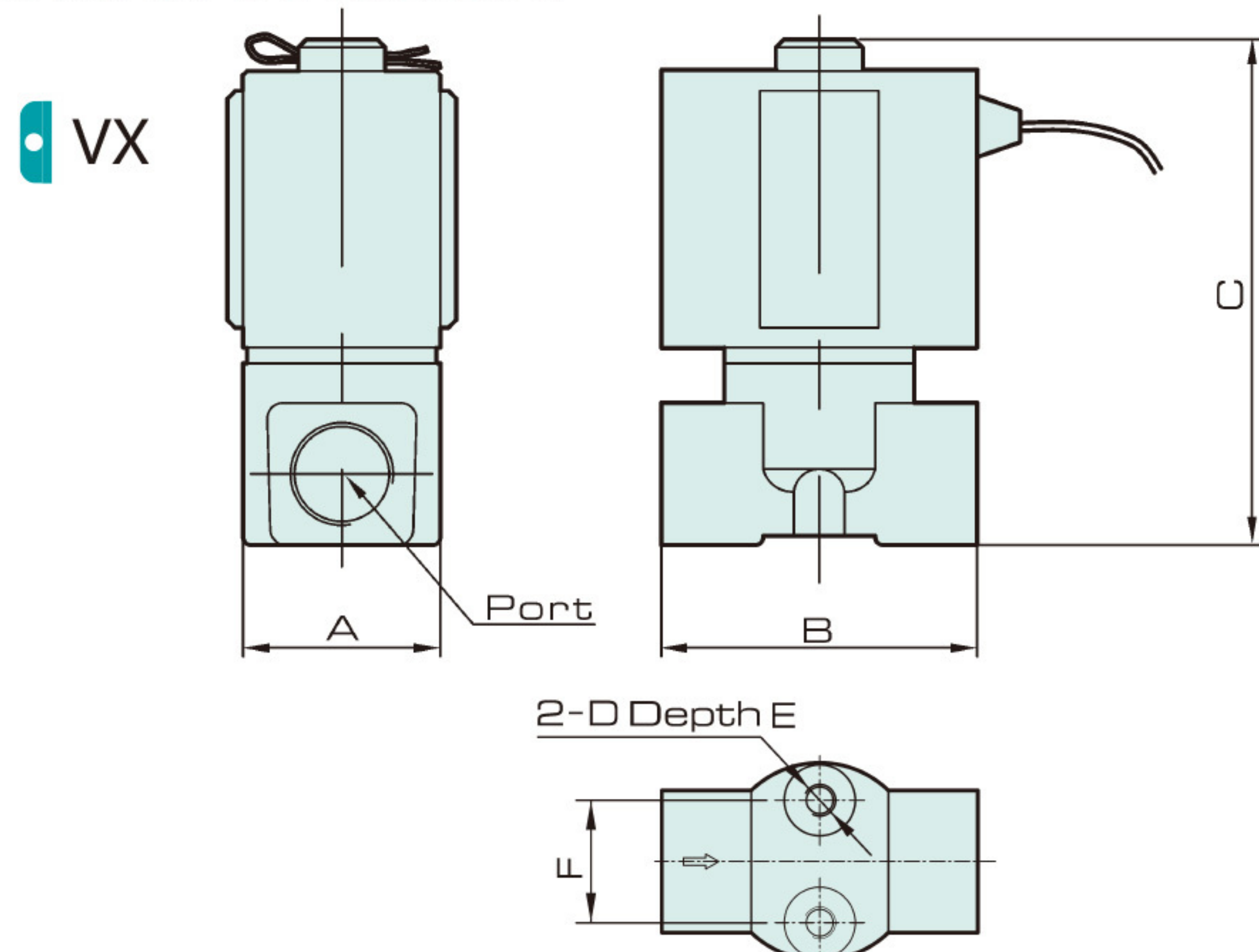
Symbol



Specification

Model	VX2120-06	VX2120-08	VX2120-10	VX2120-15
Working Medium	Air, Water, Steam			
Operation	Direct			
Type	Normal Close			
Max. Test Pressure	1.05 MPa			
Working-pressure	0 ~ 1.0 MPa			
Orifice	3 mm		13 mm	
Port Size	1/8"	1/4"	3/8"	1/2"
Max. Ambient Temperature	-10 ~ 150 °C		-10 ~ 80 °C	
Material of Oil Seal	VITON		NBR	

Overall Dimension



Dimension

Model	Bore	A	B	C	D	E	F
VX2120-06	PT1/8	25	40	64	M4	8	15.5
VX2120-08	PT1/4	25	40	64	M4	8	15.5
VX2120-10	PT3/8	48	68	110	-	-	-
VX2120-15	PT1/2	48	68	110	-	-	-